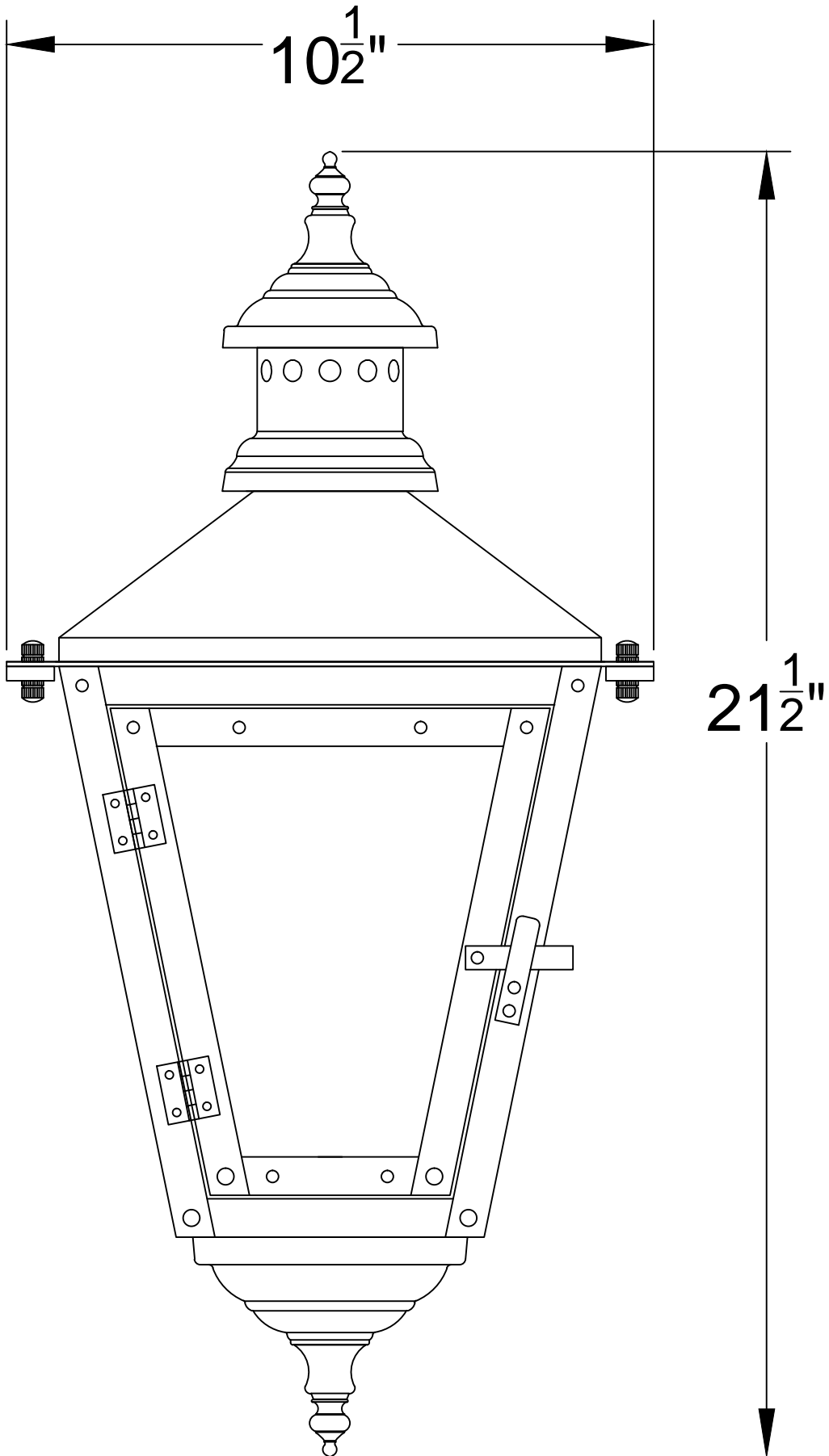
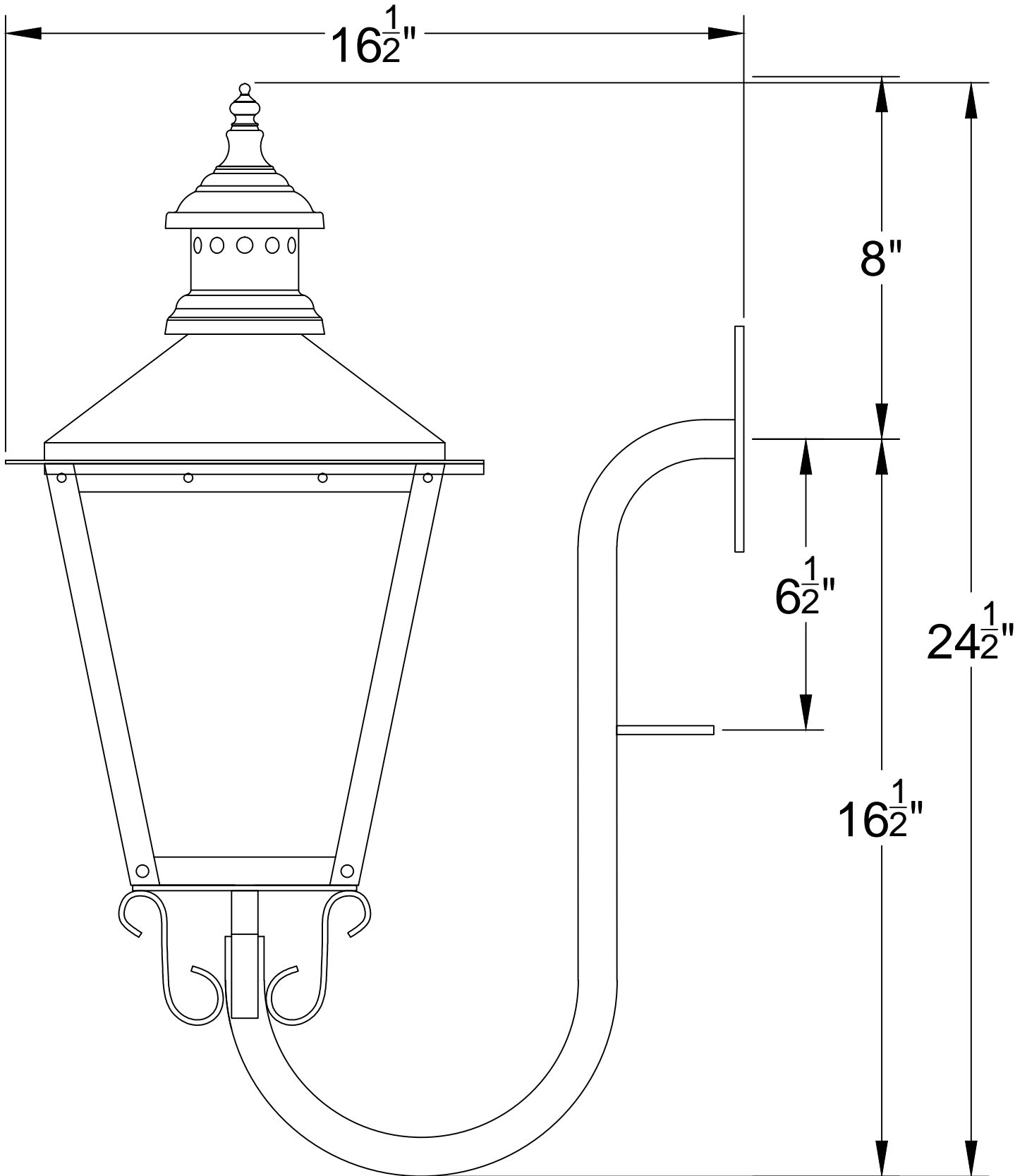


SV-22



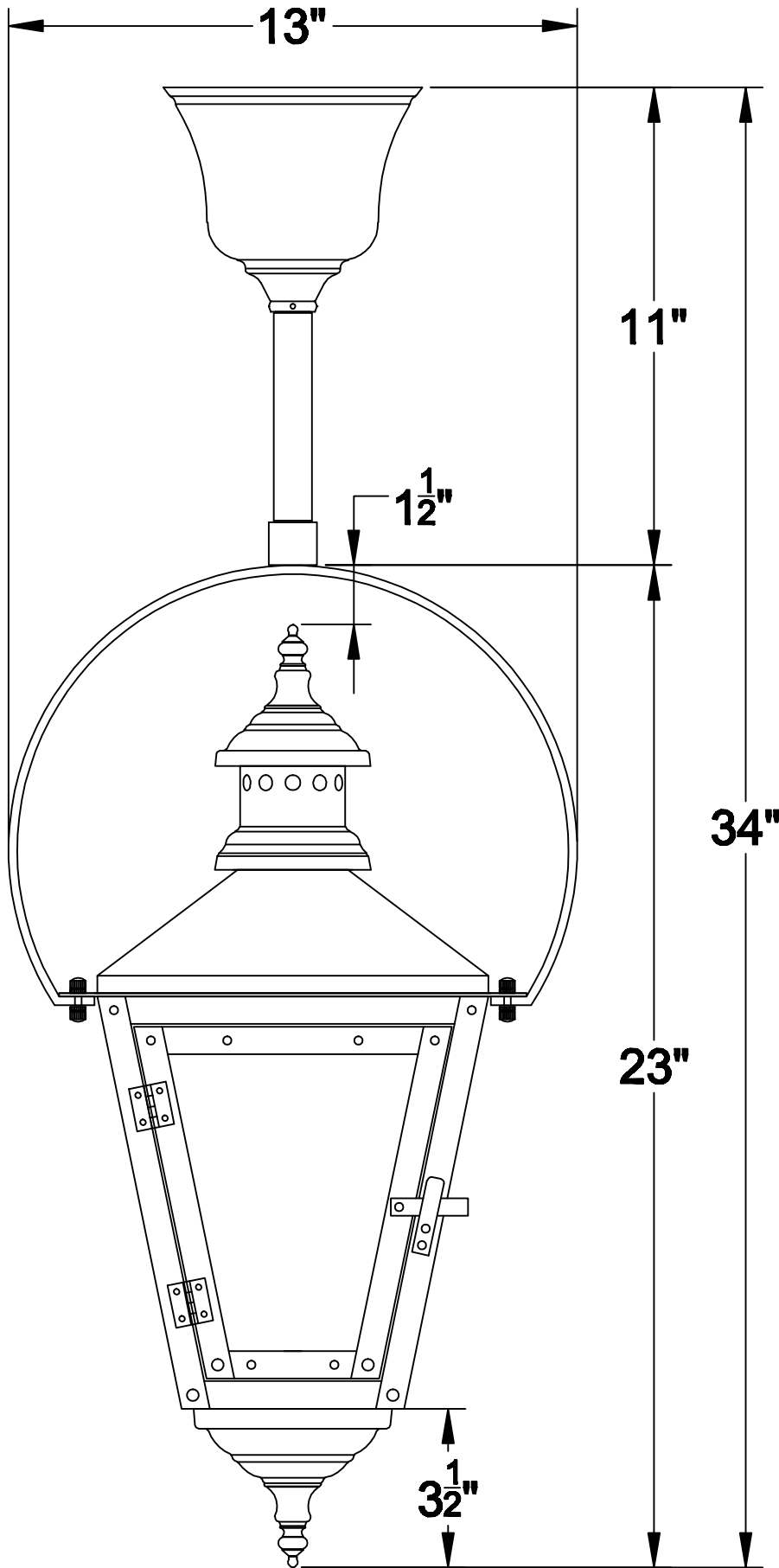
Front

SV-22



GN

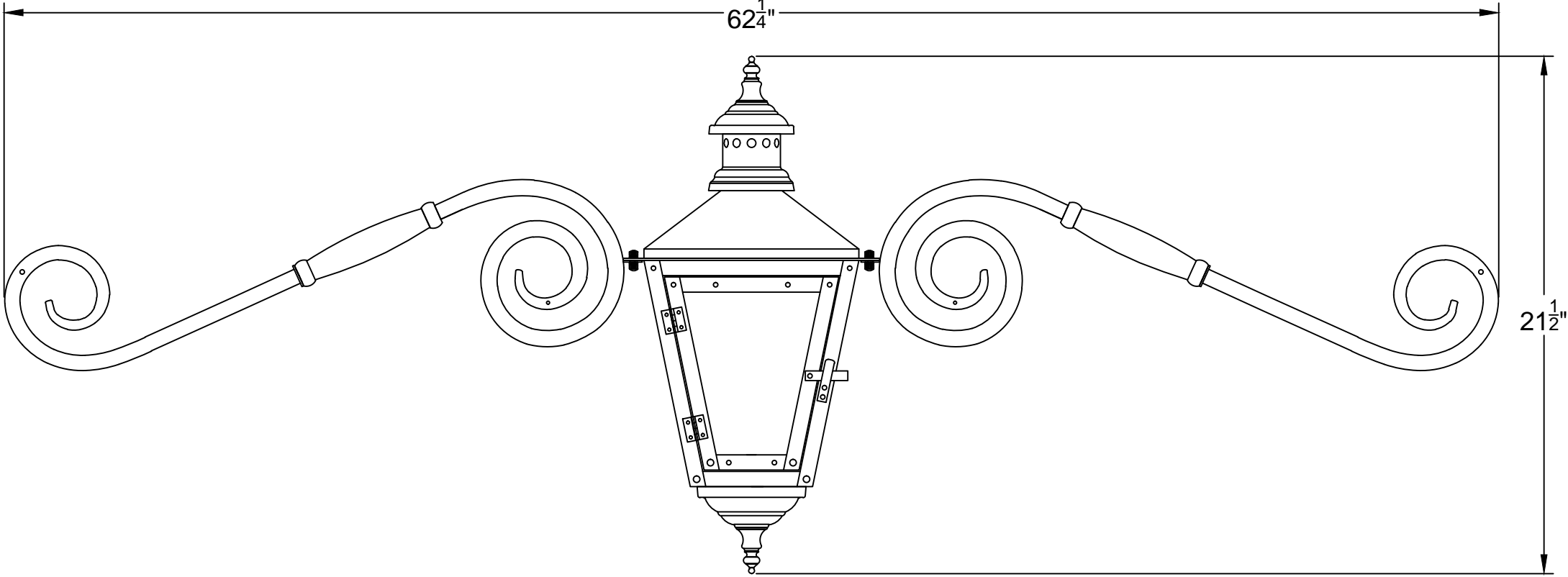
SV-22



HY-1

SV-22

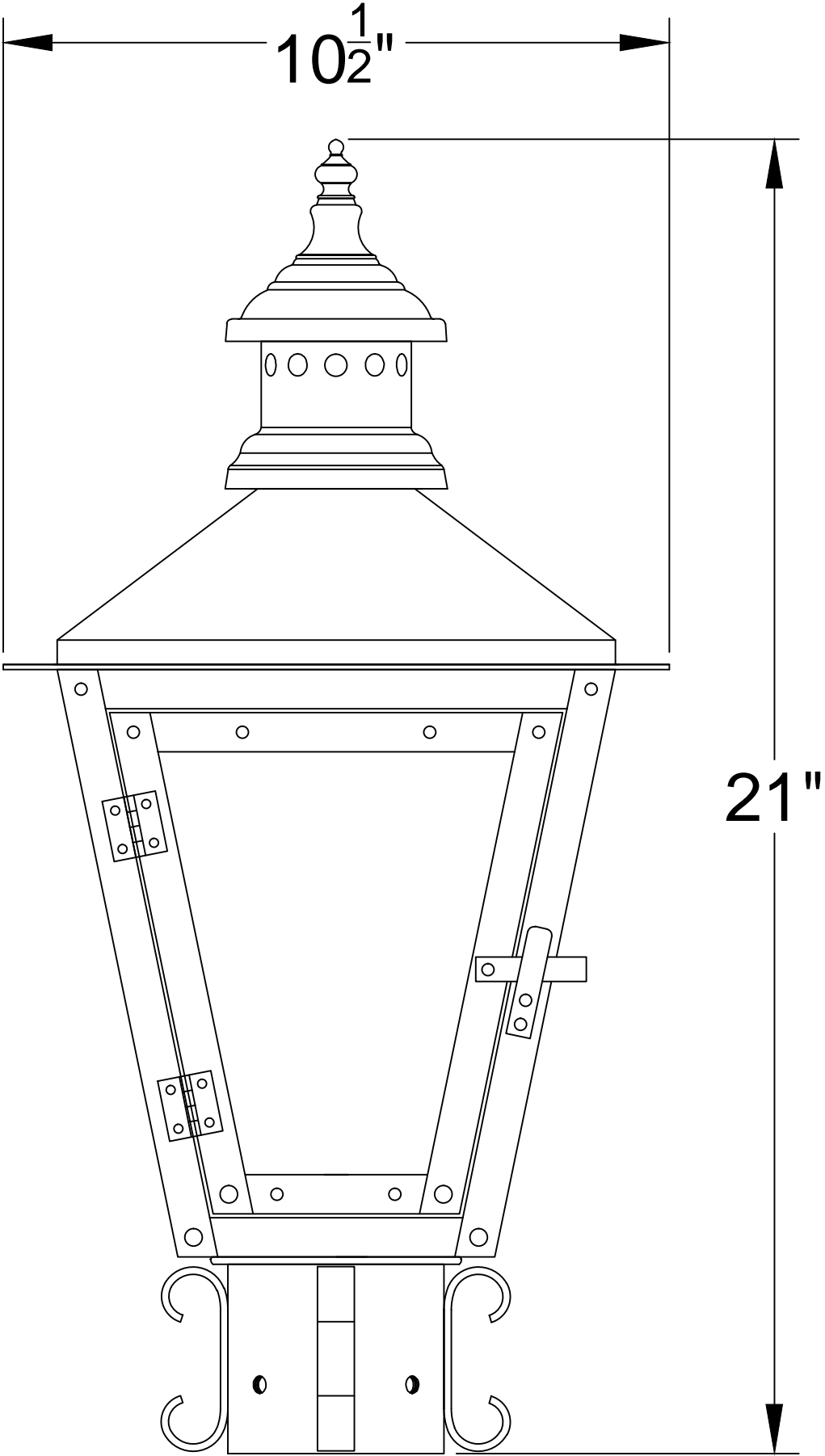
62 $\frac{1}{4}$ "



21 $\frac{1}{2}$ "

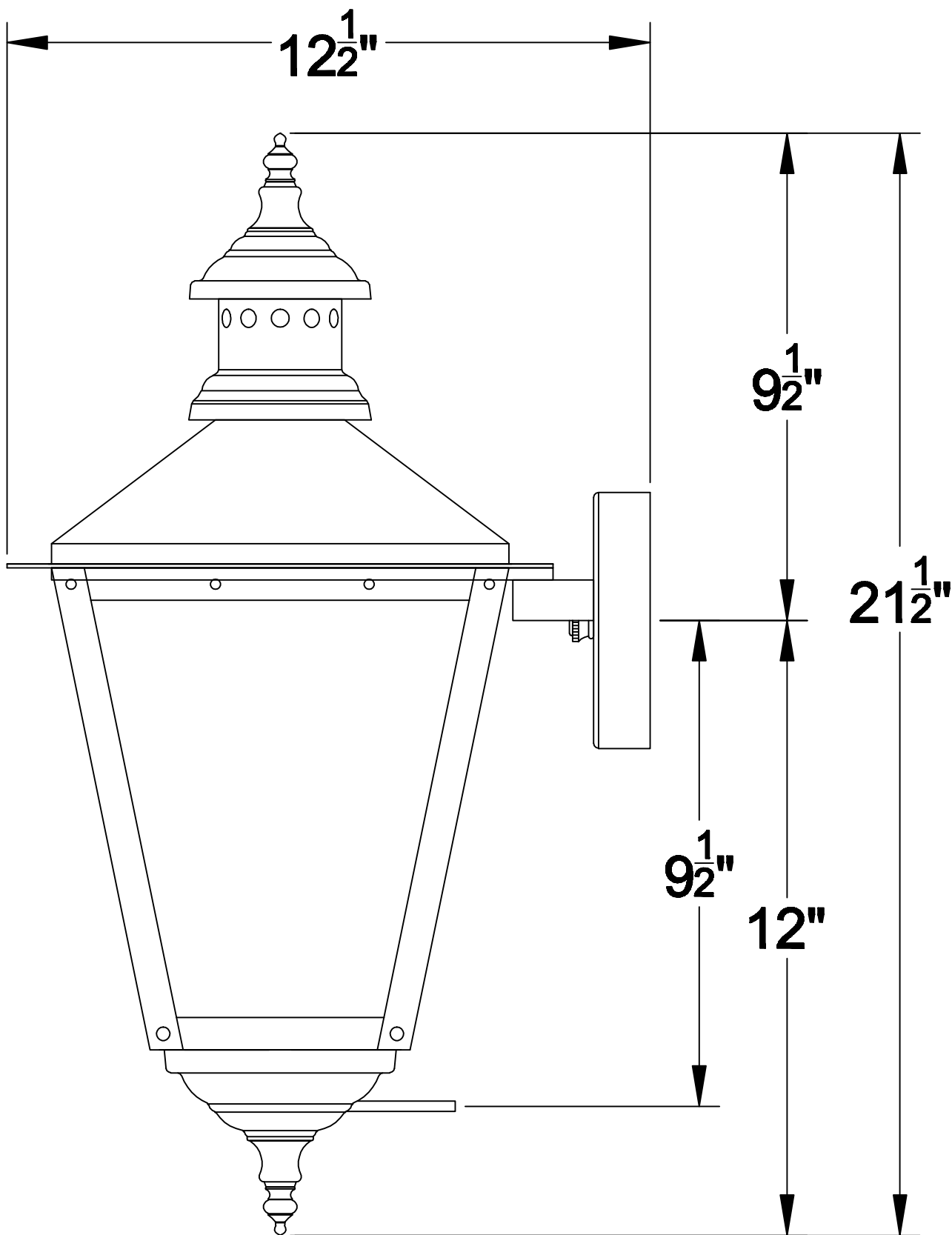
MU

SV-22



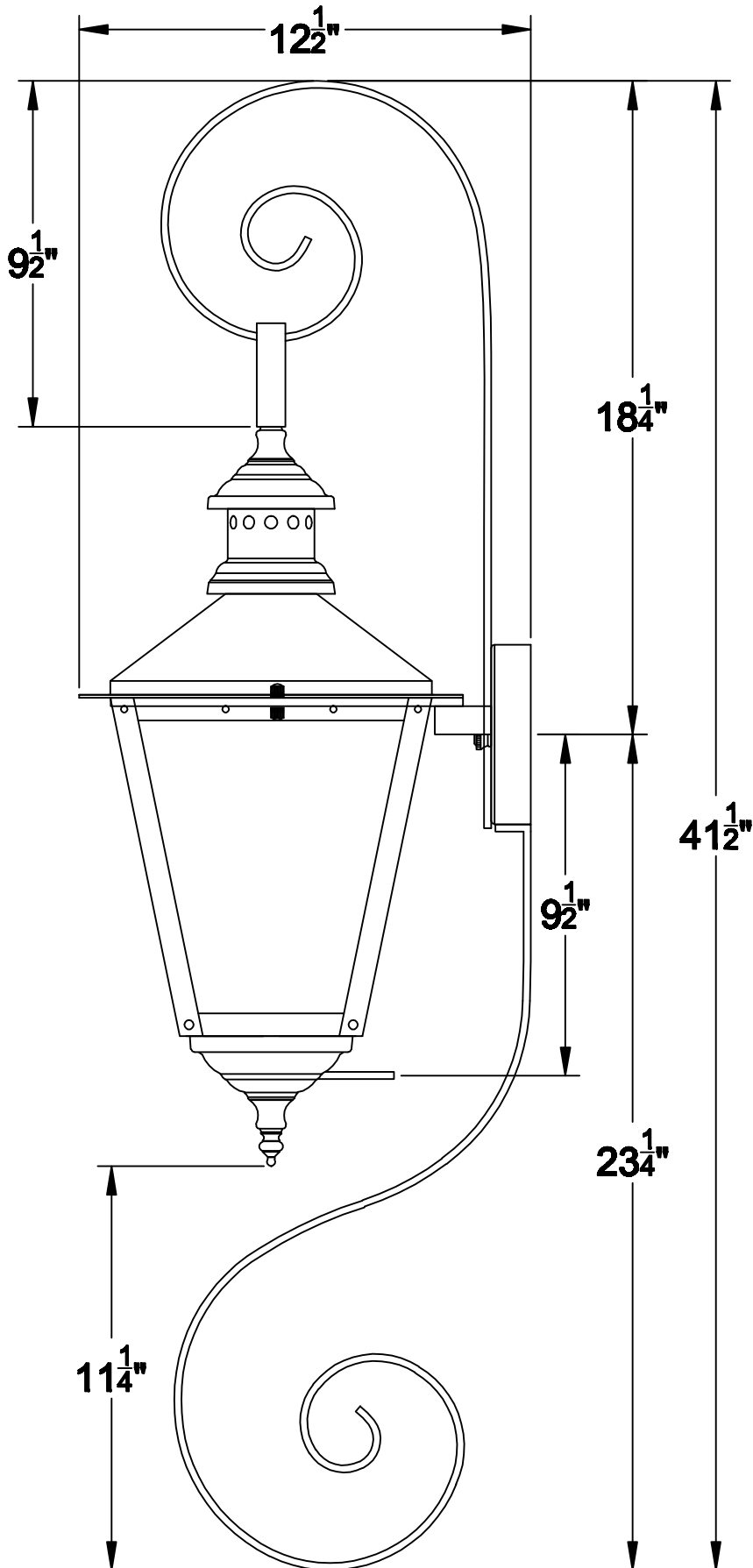
PM

SV-22



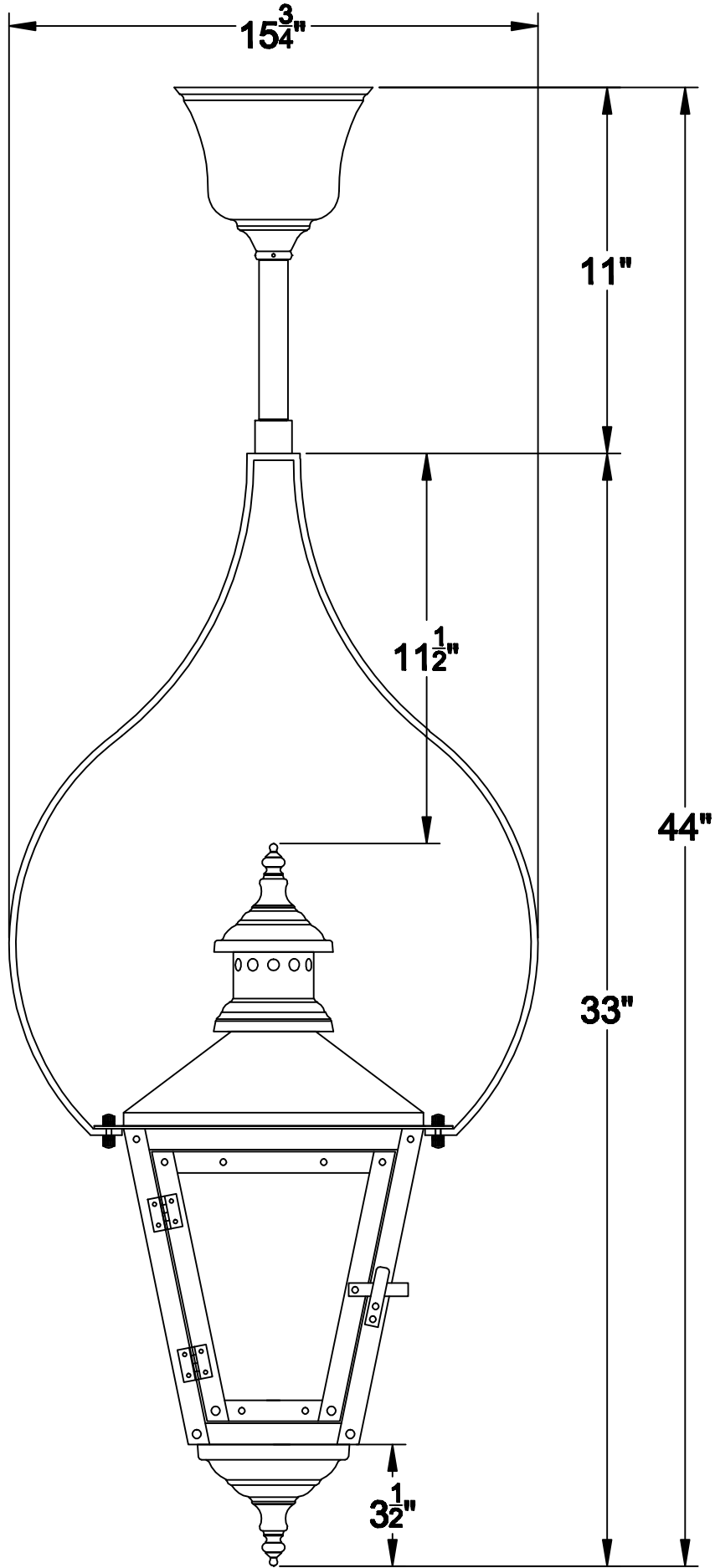
Side

SV-22



TS-1 BS-1

SV-22



TY-1