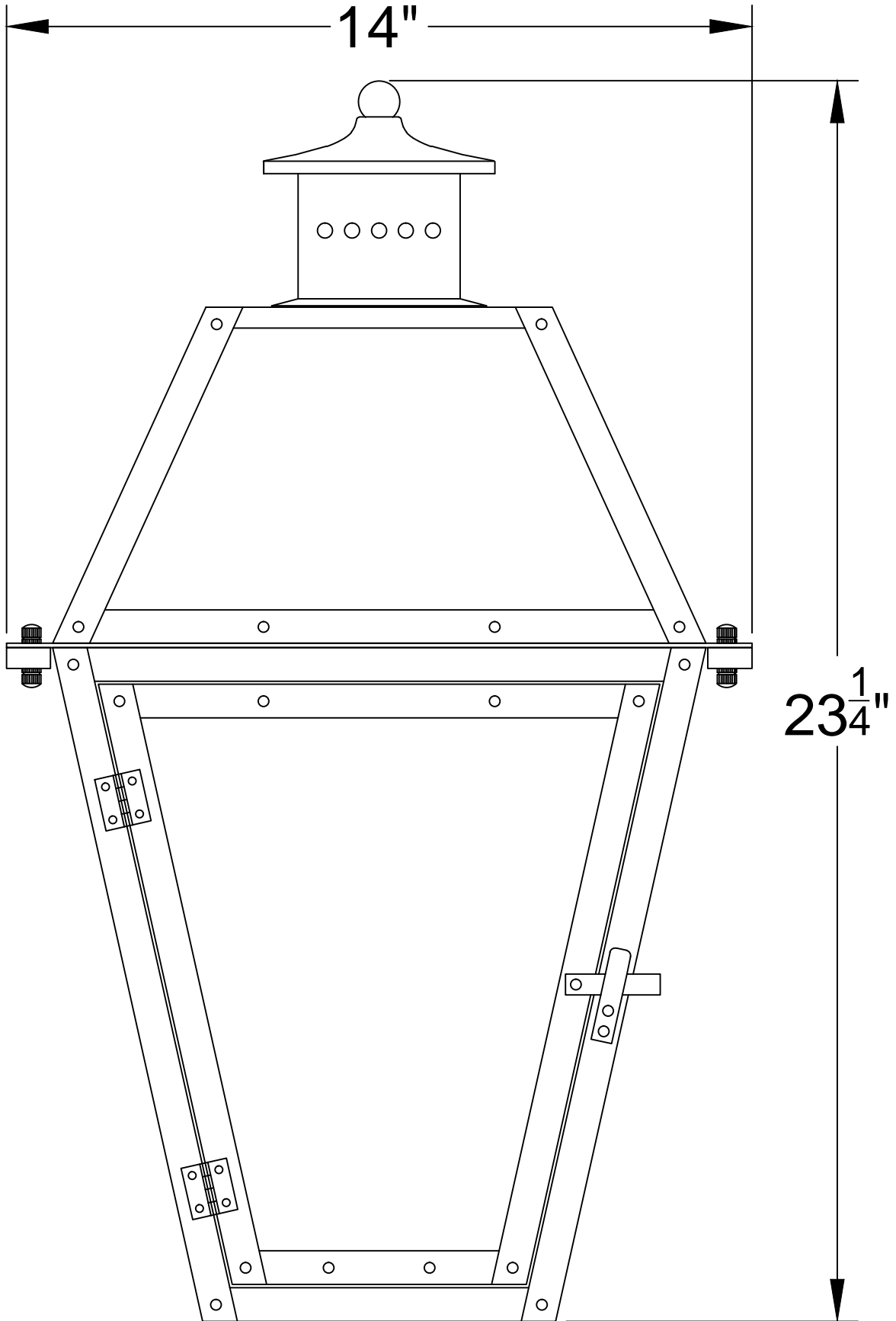
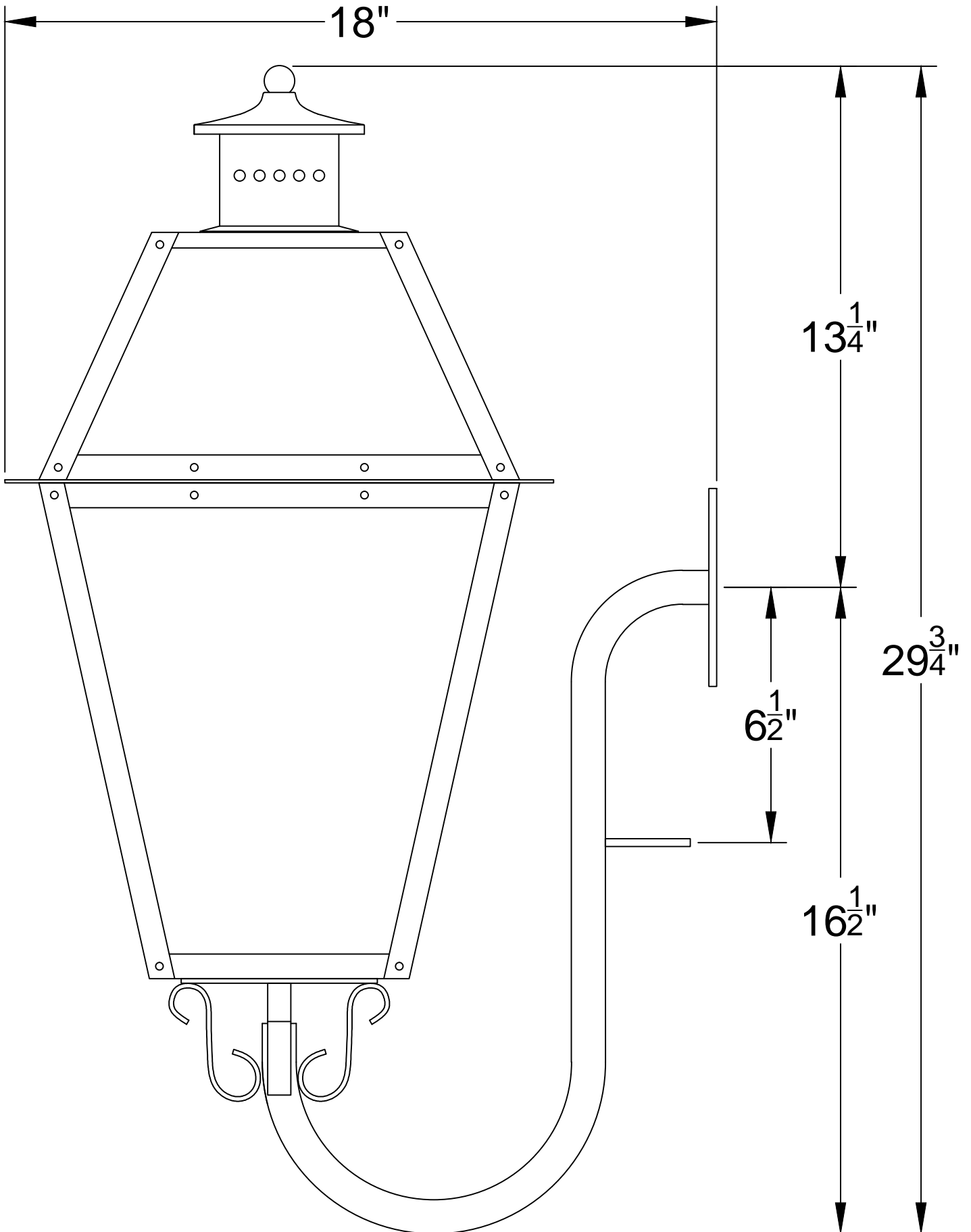


# OL-22



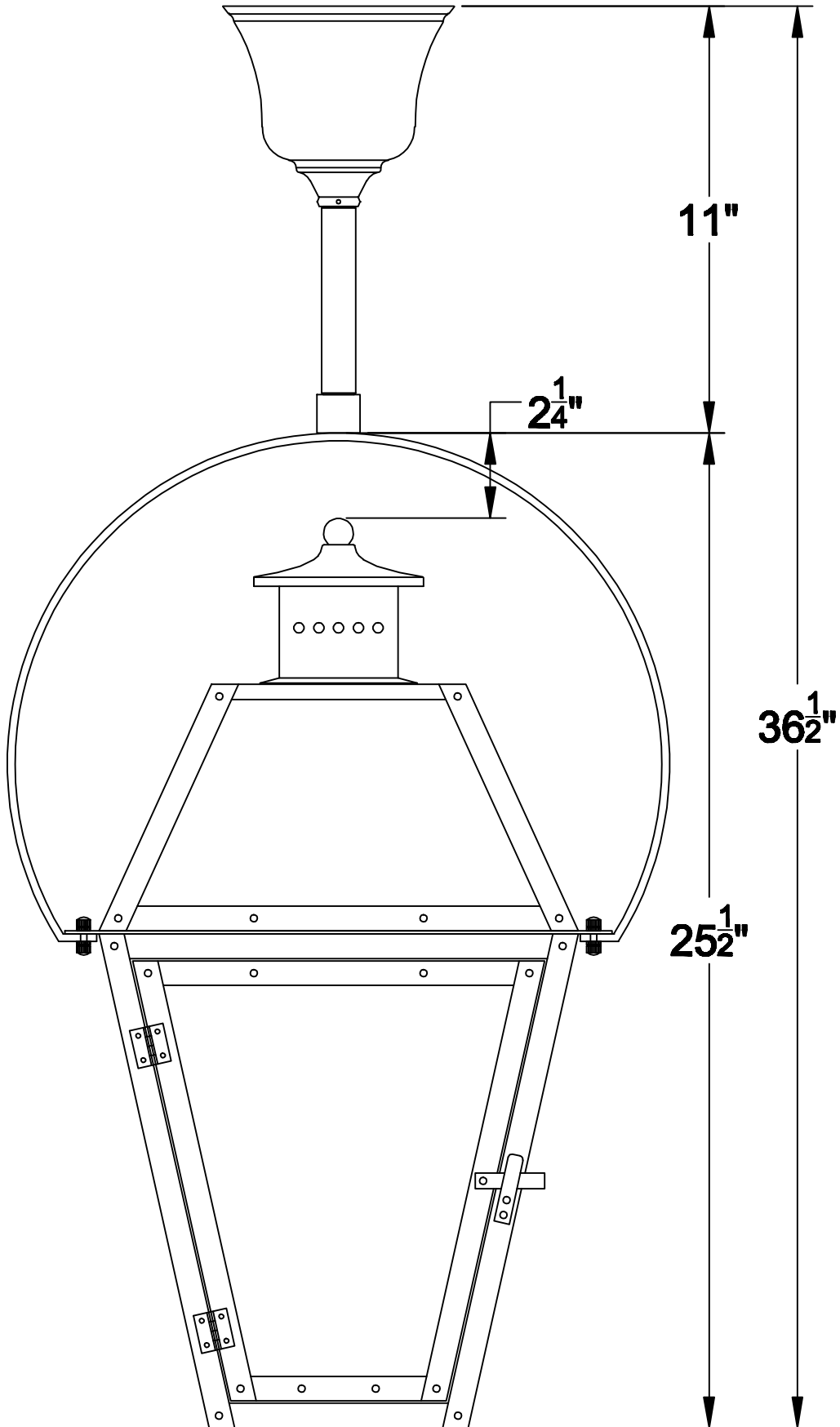
Front

# OL-22



GN

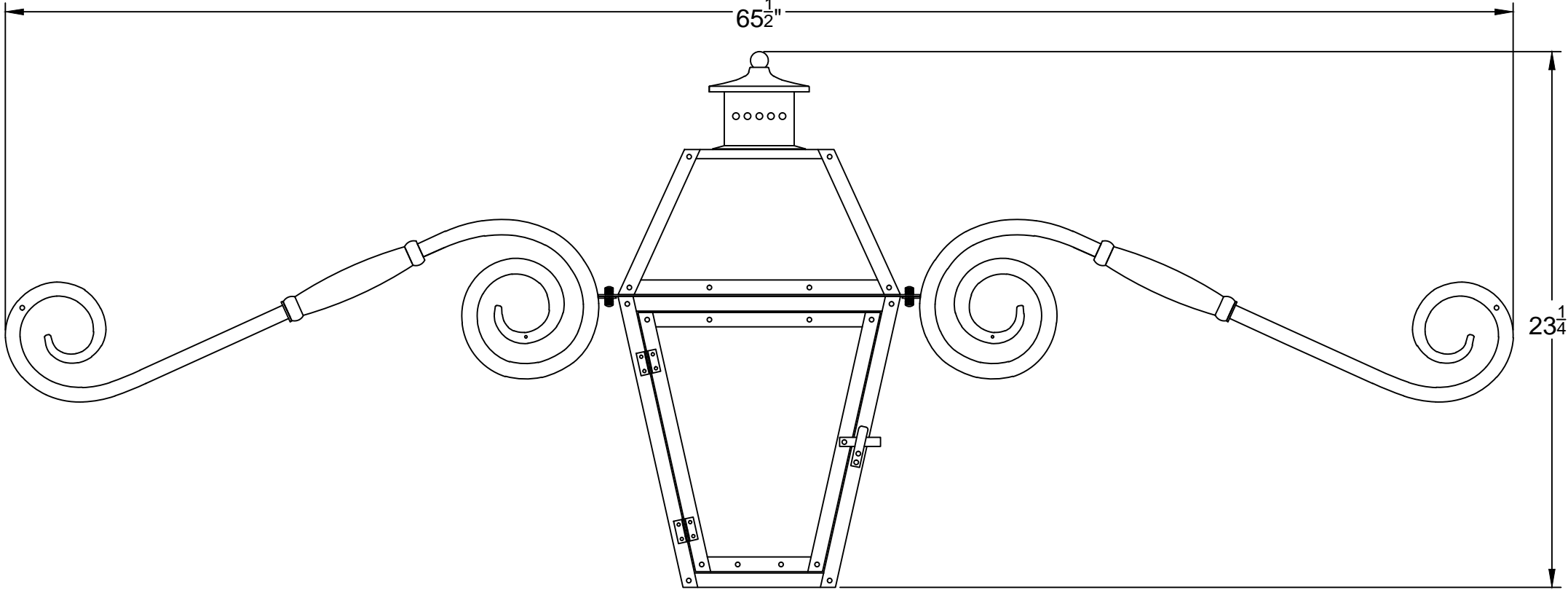
**OL-22**



**HY-2**

OL-22

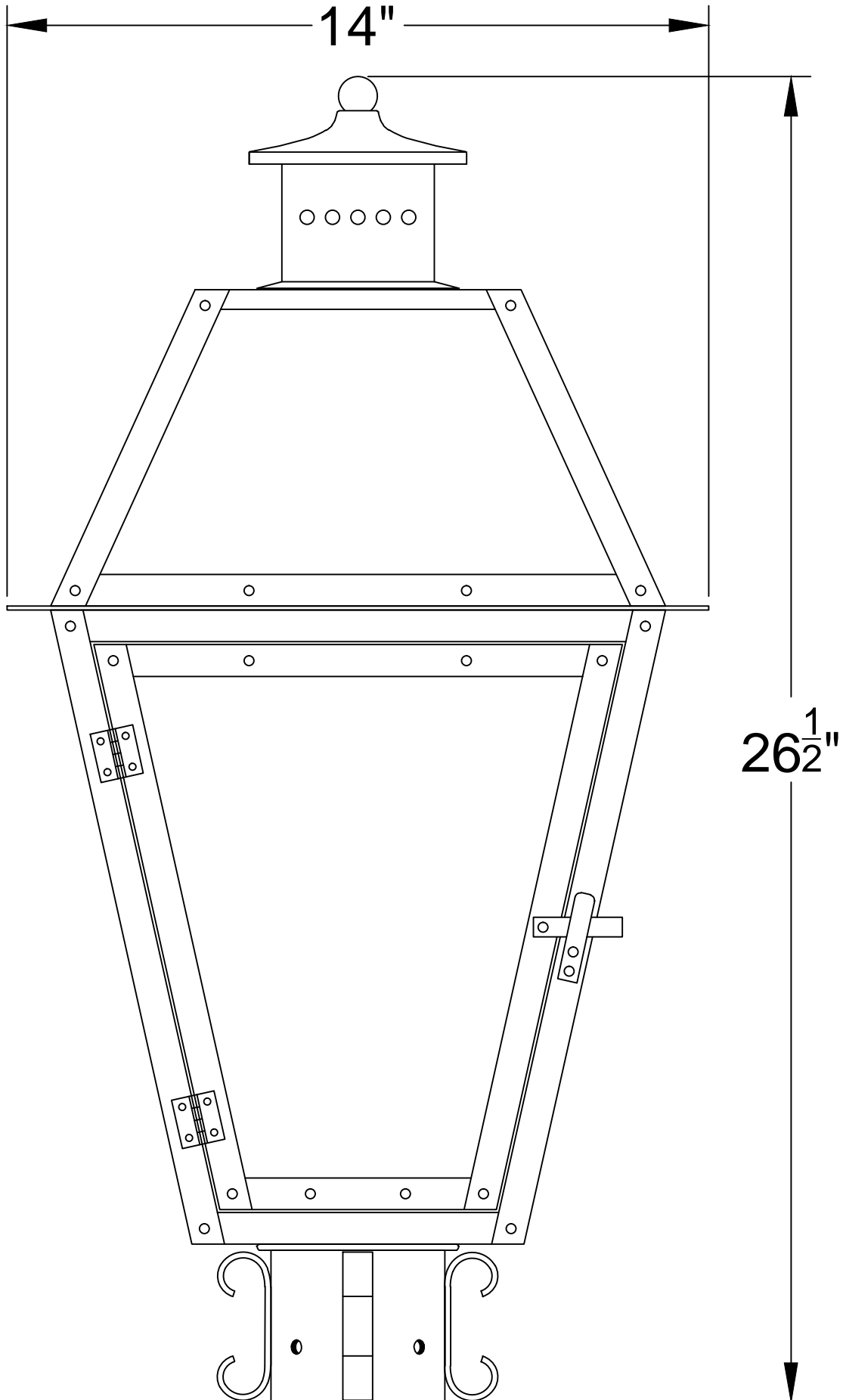
65 $\frac{1}{2}$ "



23 $\frac{1}{4}$ "

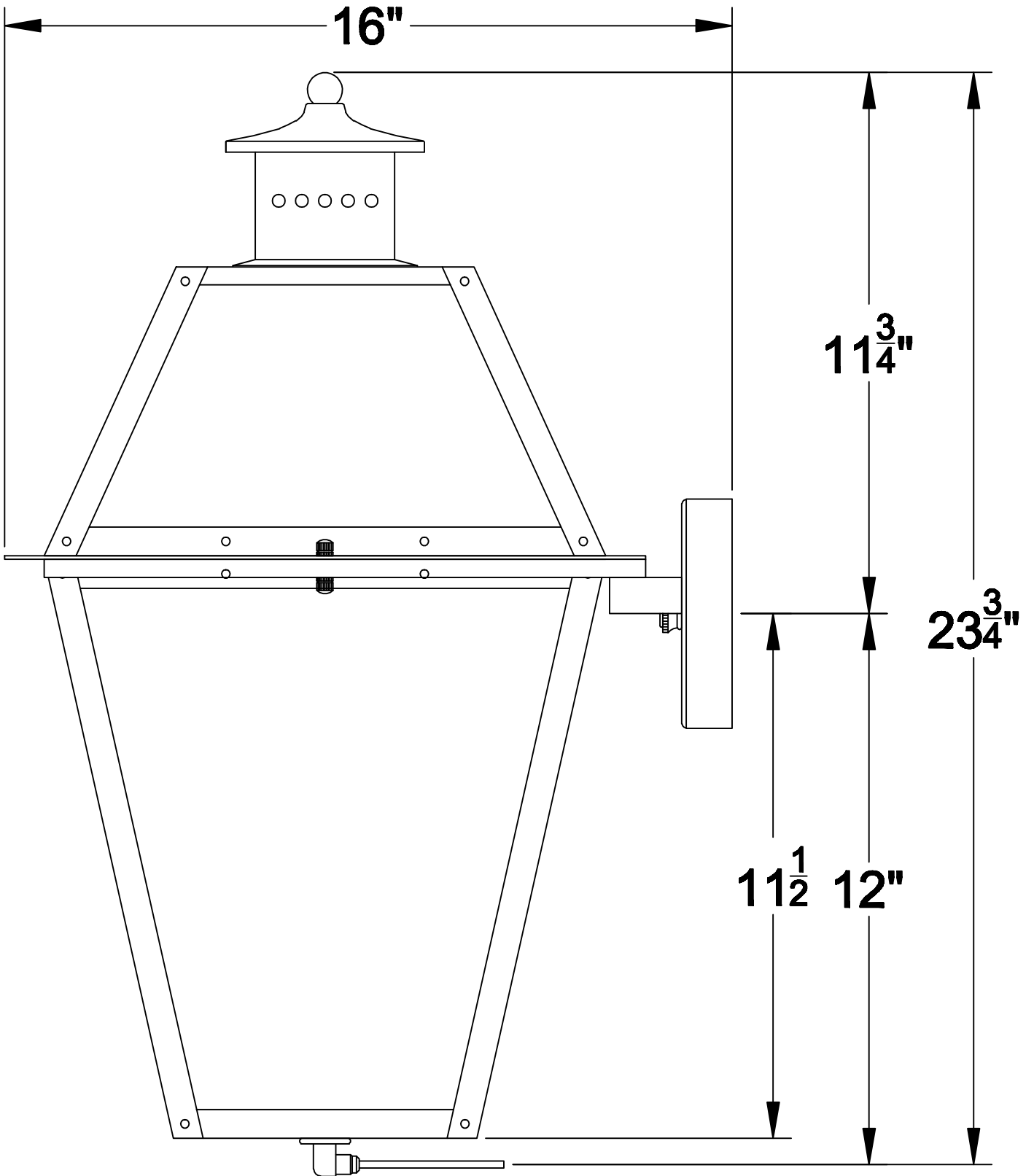
MU

# OL-22



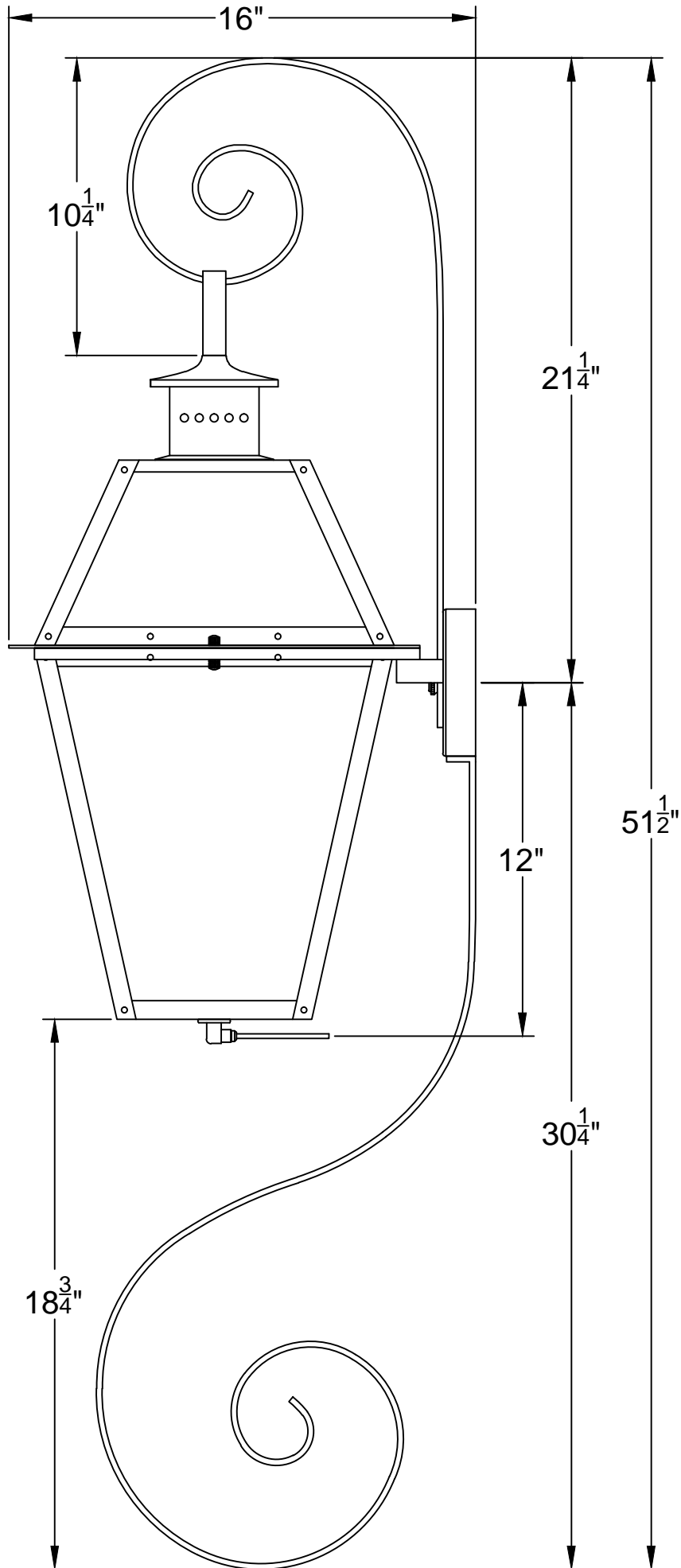
# PM

# OL-22



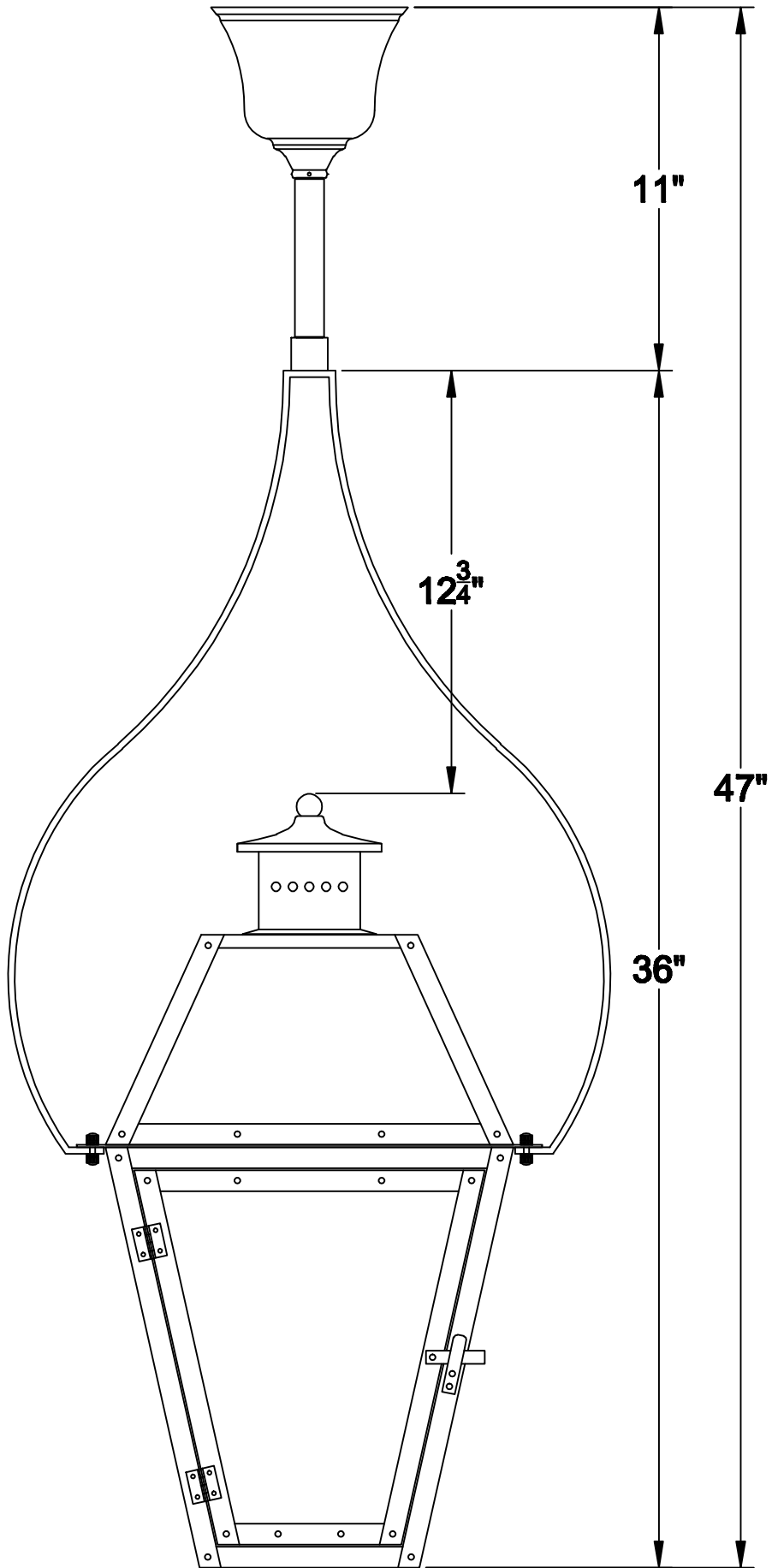
Side

OL-22



TS-2 BS-2

**OL-22**



**TY-2**