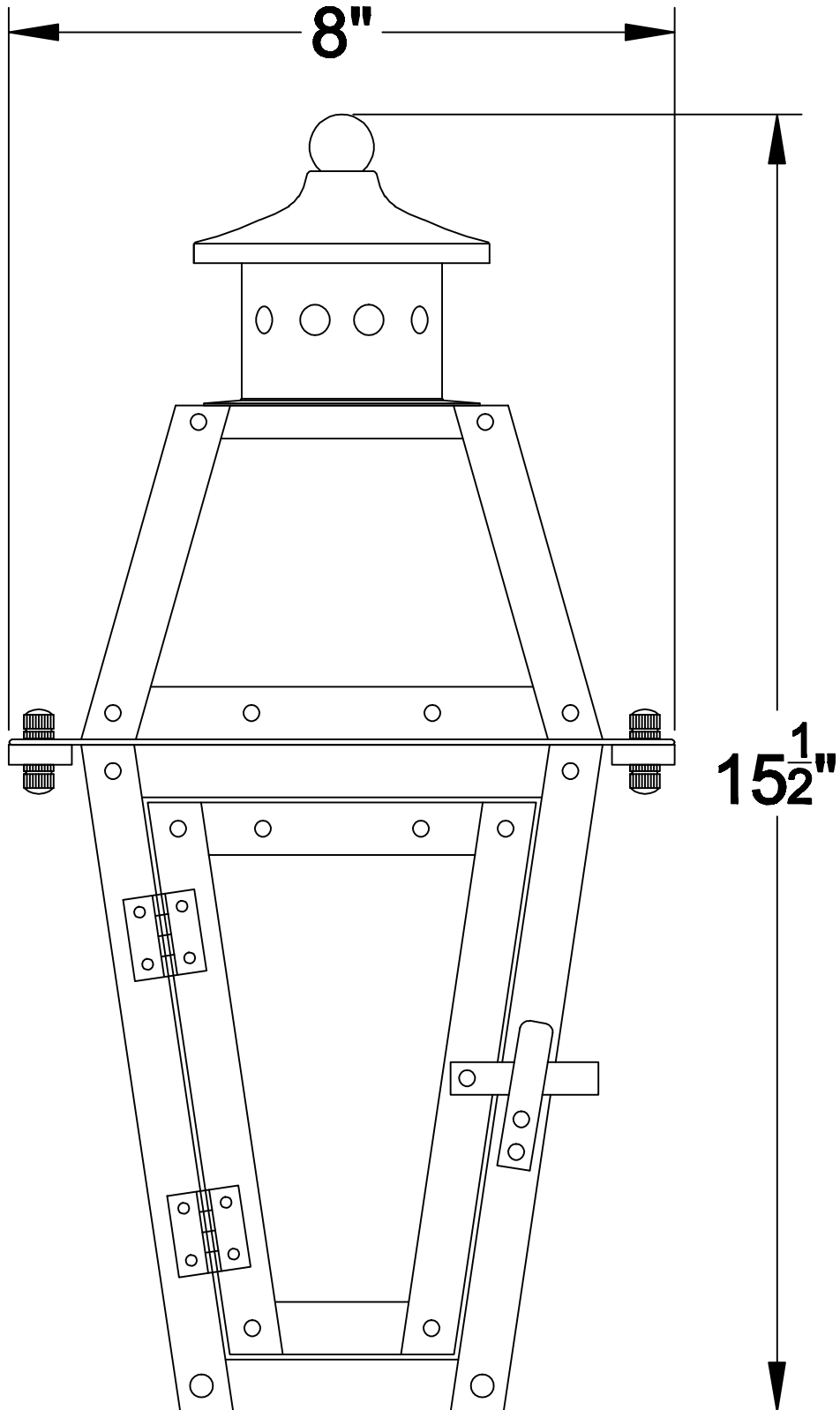
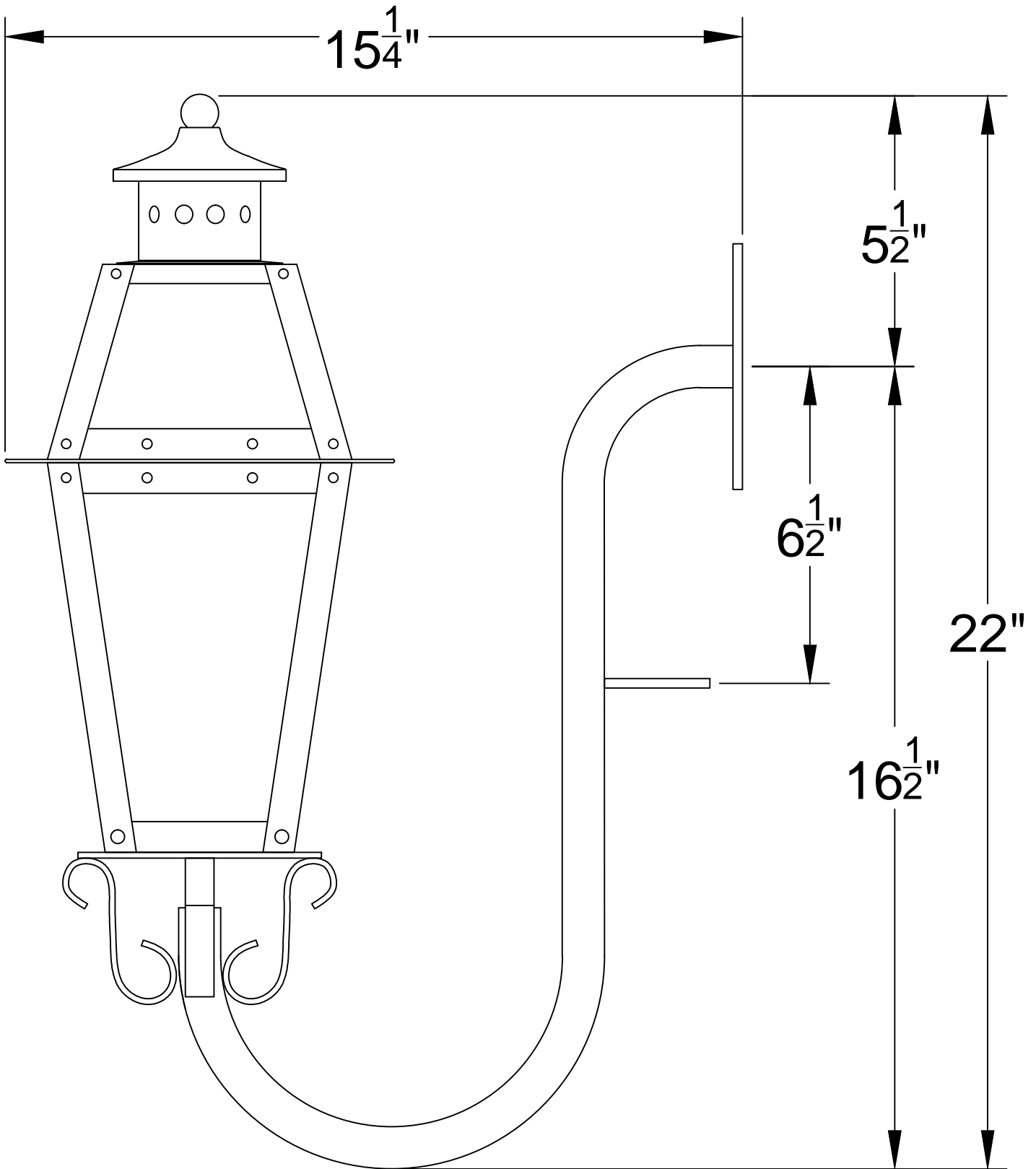


# OL-15



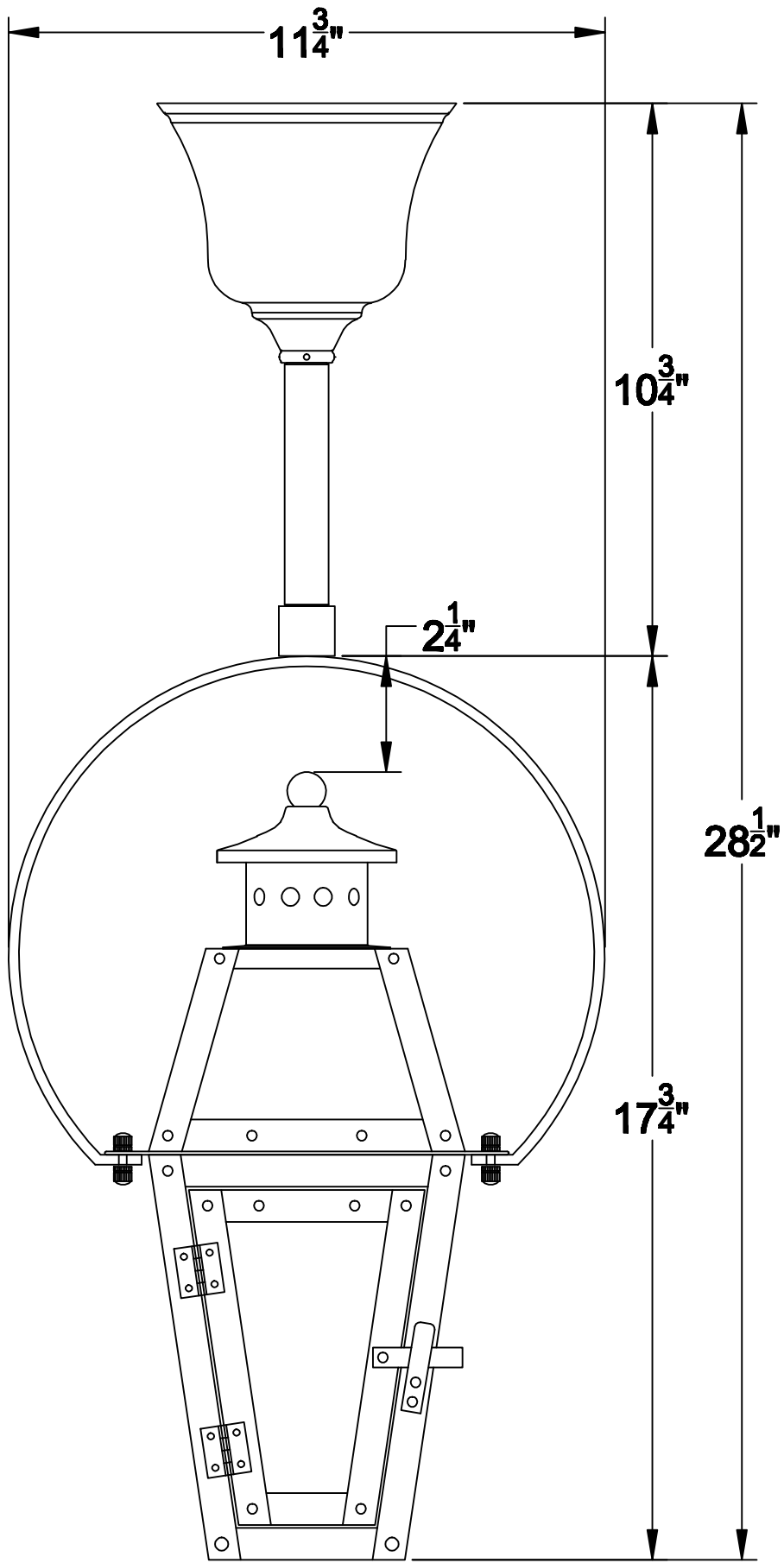
Front

OL-15



GN

**OL-15**



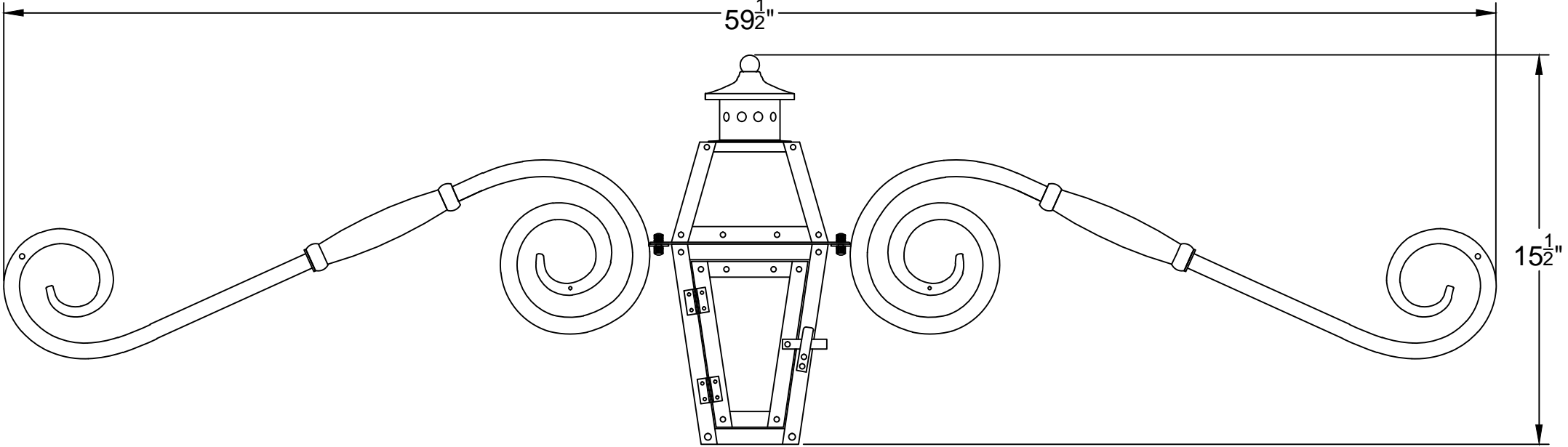
**HY-1**

OL-15

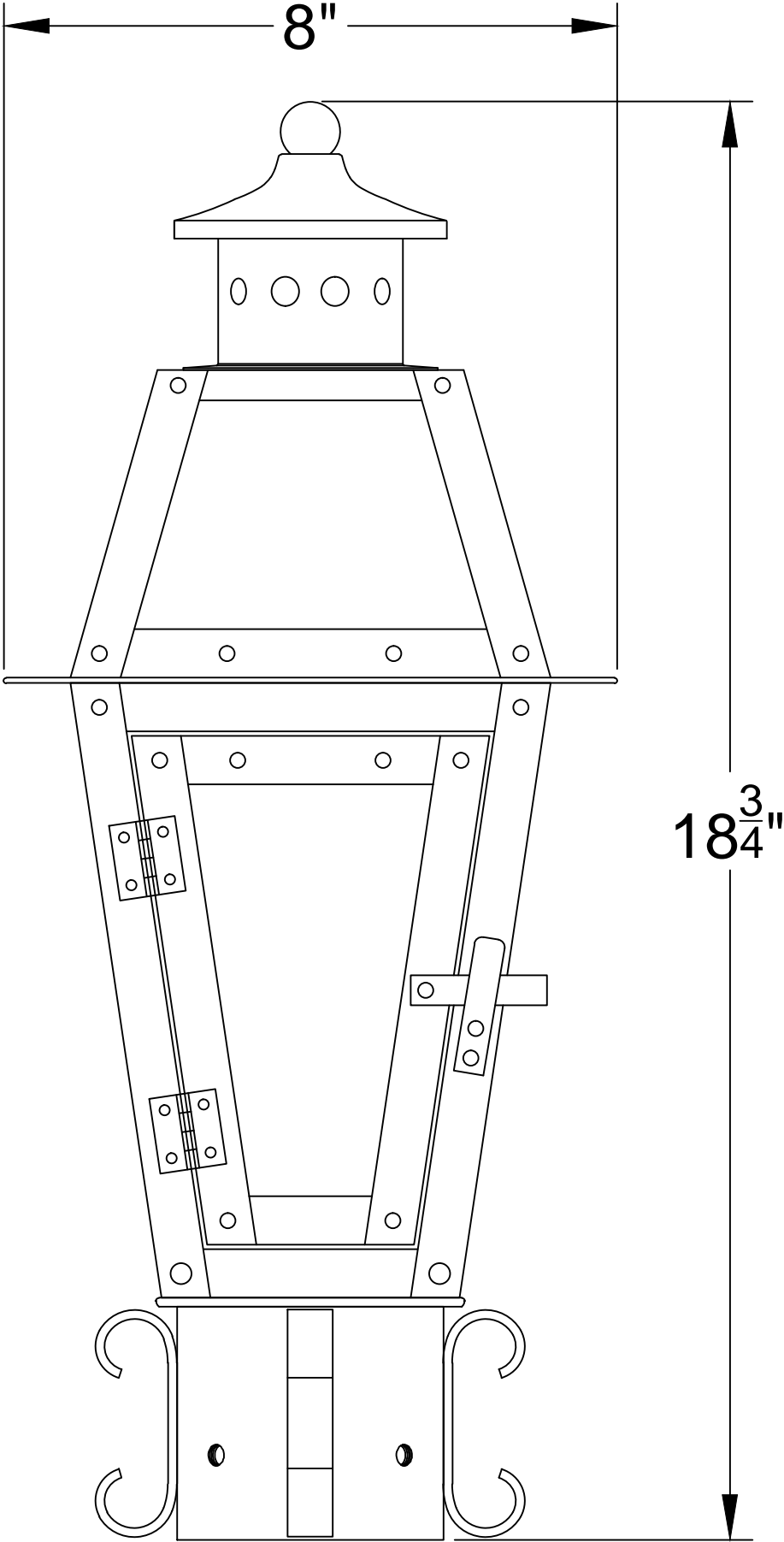
59 $\frac{1}{2}$ "

15 $\frac{1}{2}$ "

MU

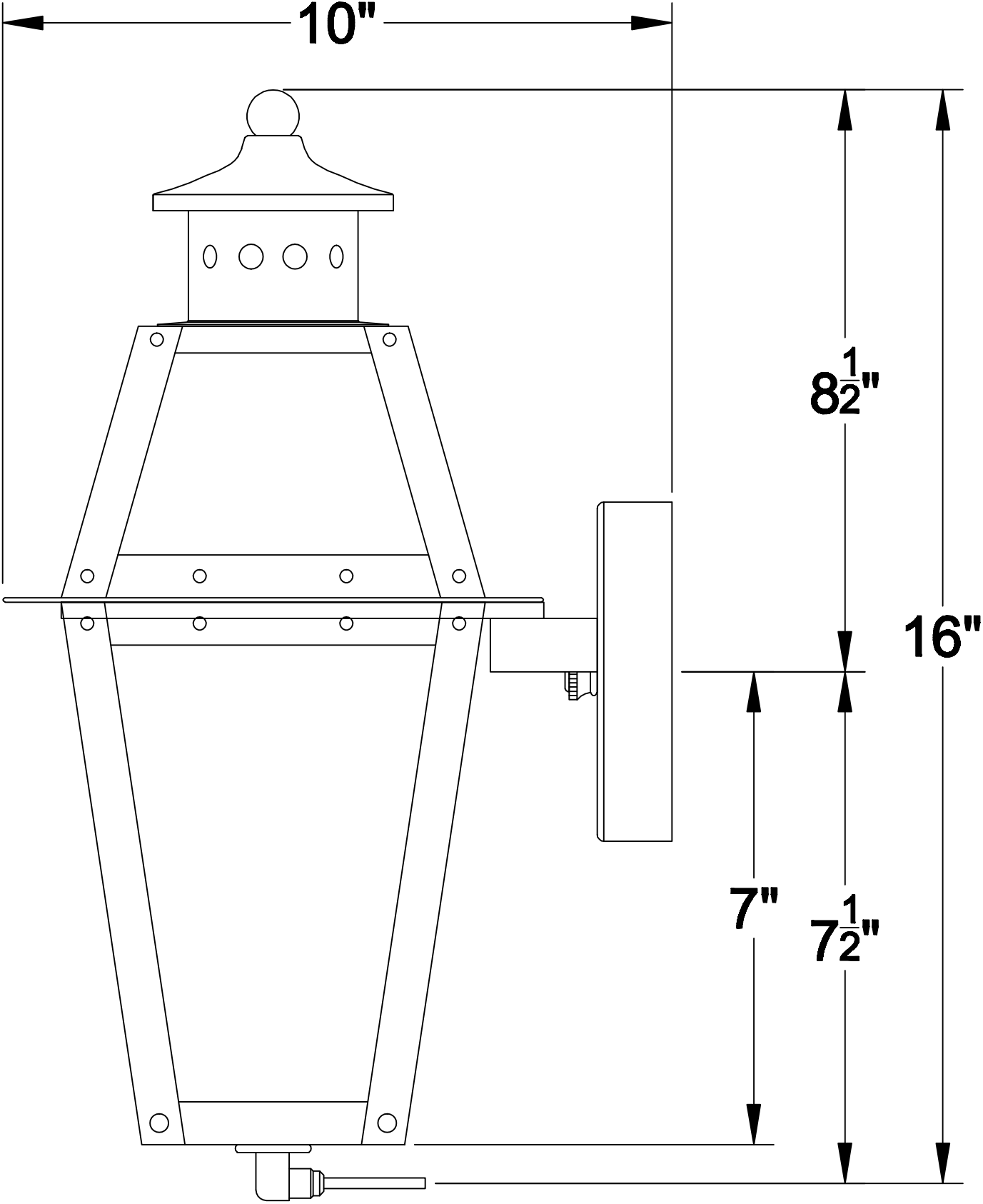


# OL-15



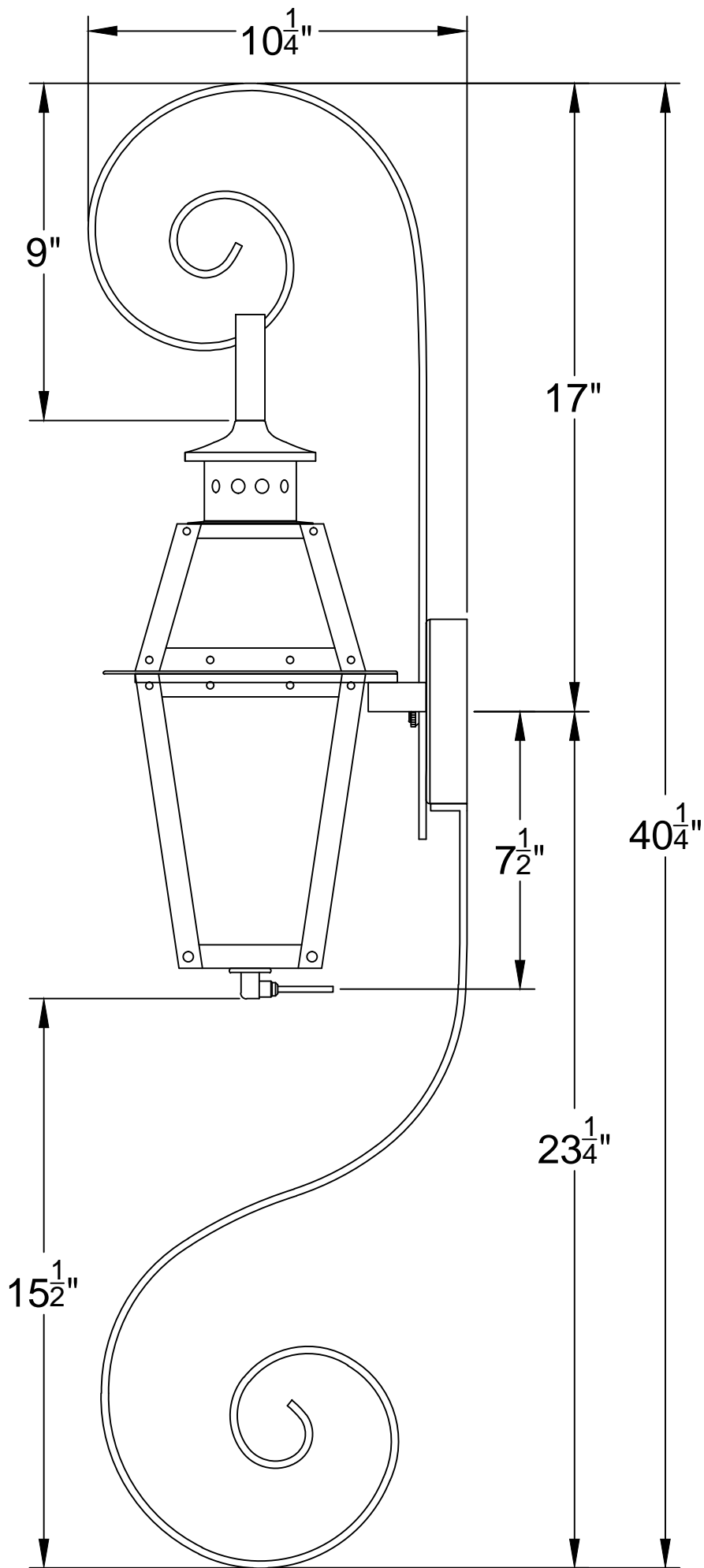
PM

# OL-15



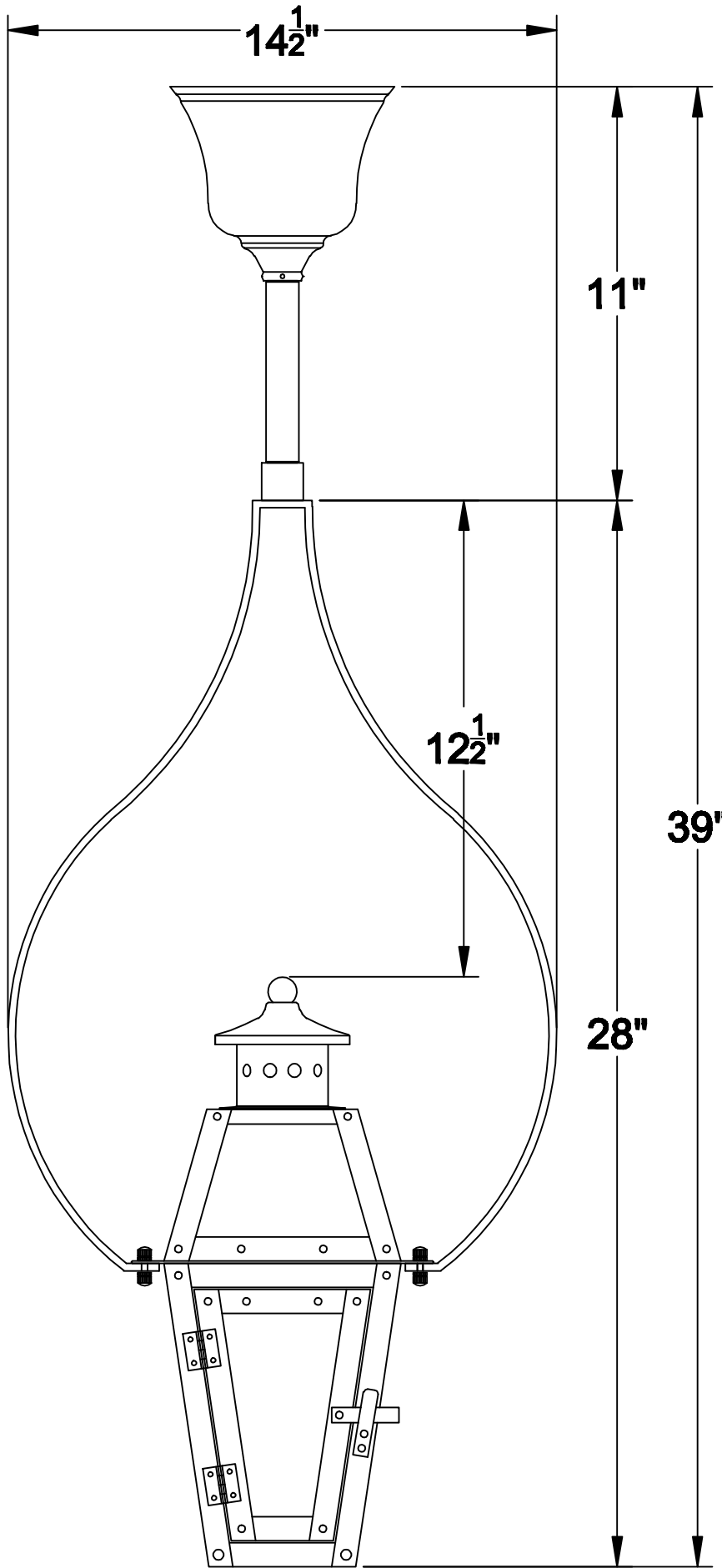
Side

OL-15



TS-1 BS-1

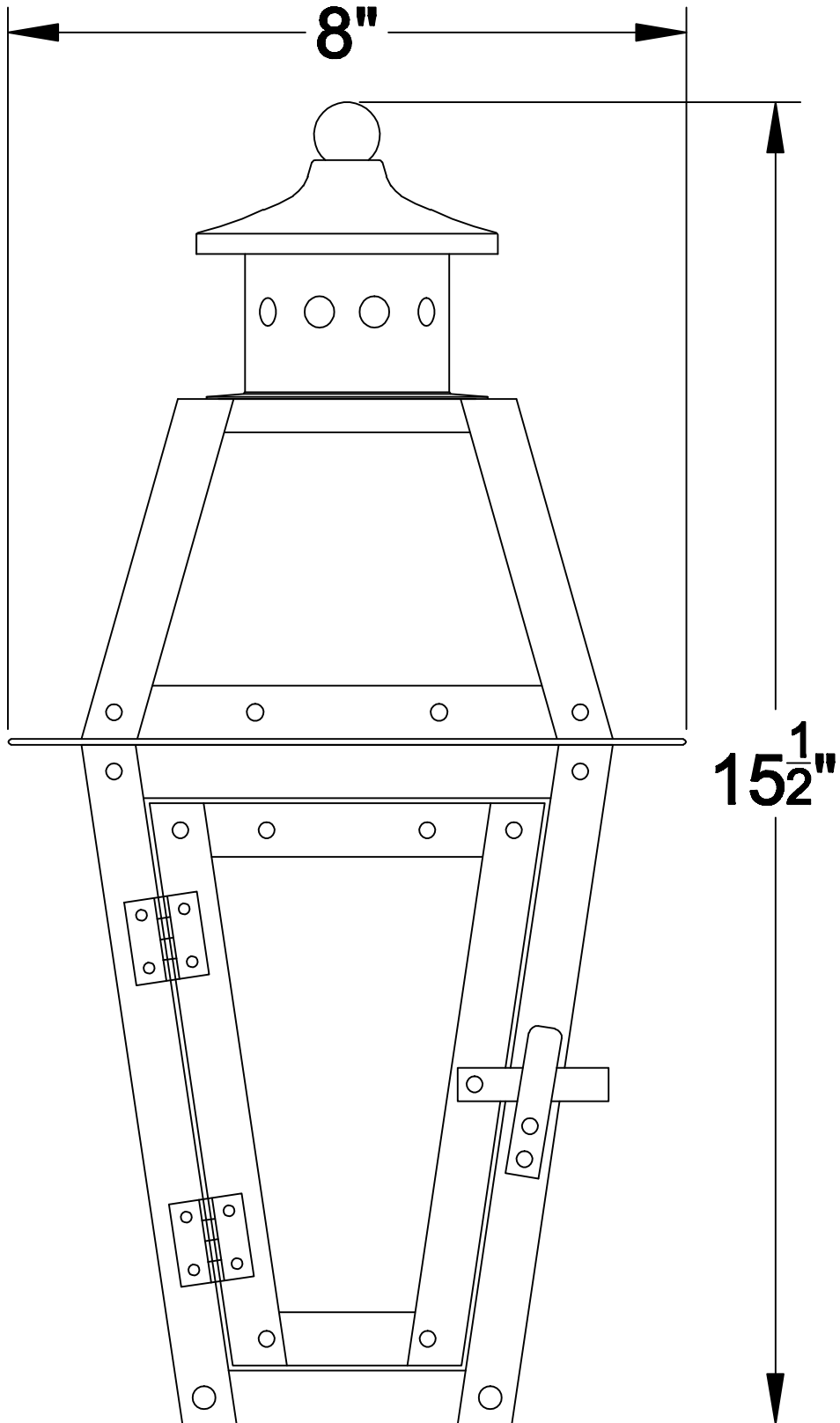
OL-15



TY-1

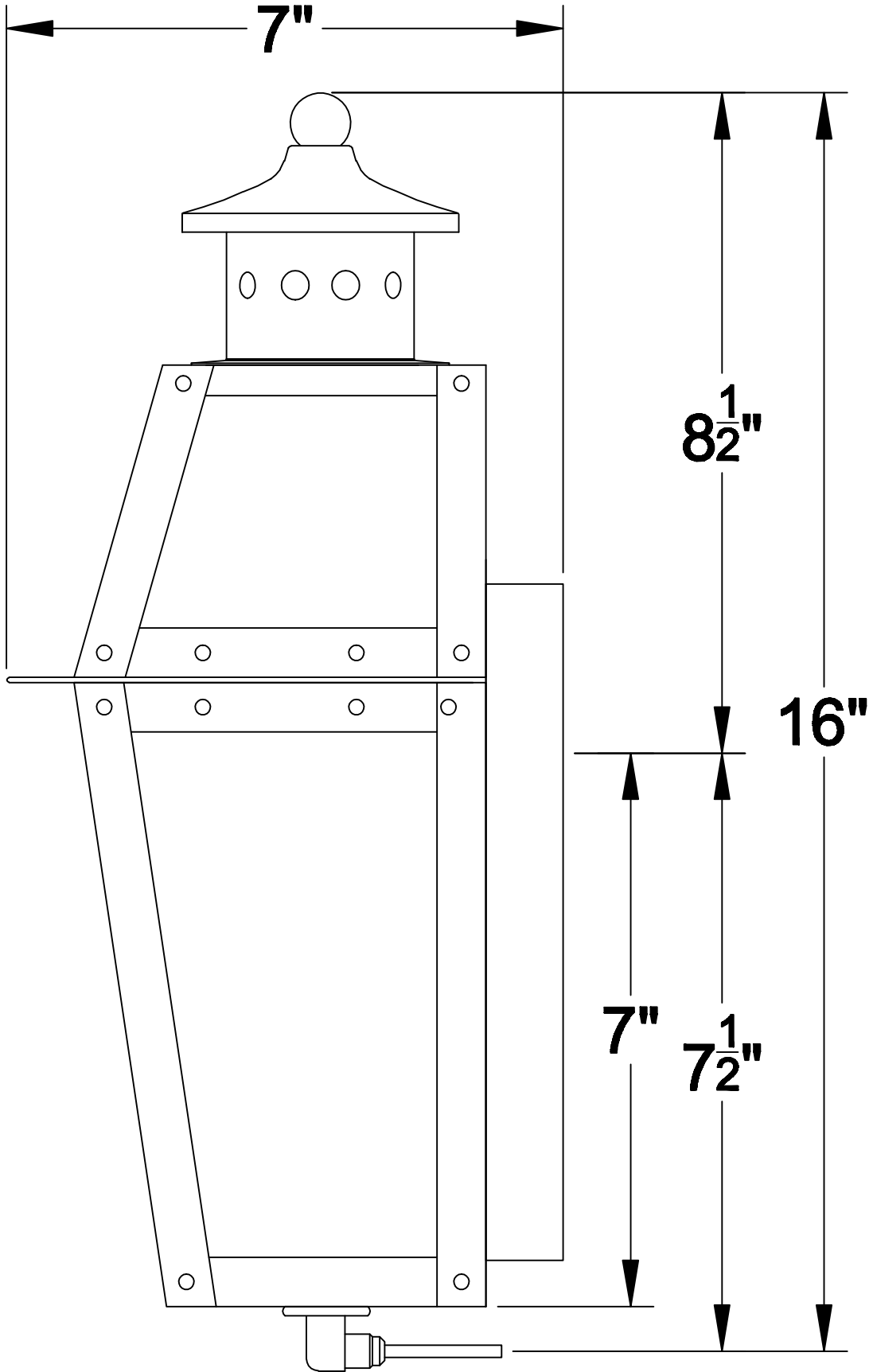


# OL-15F



Front

# OL-15F



Side