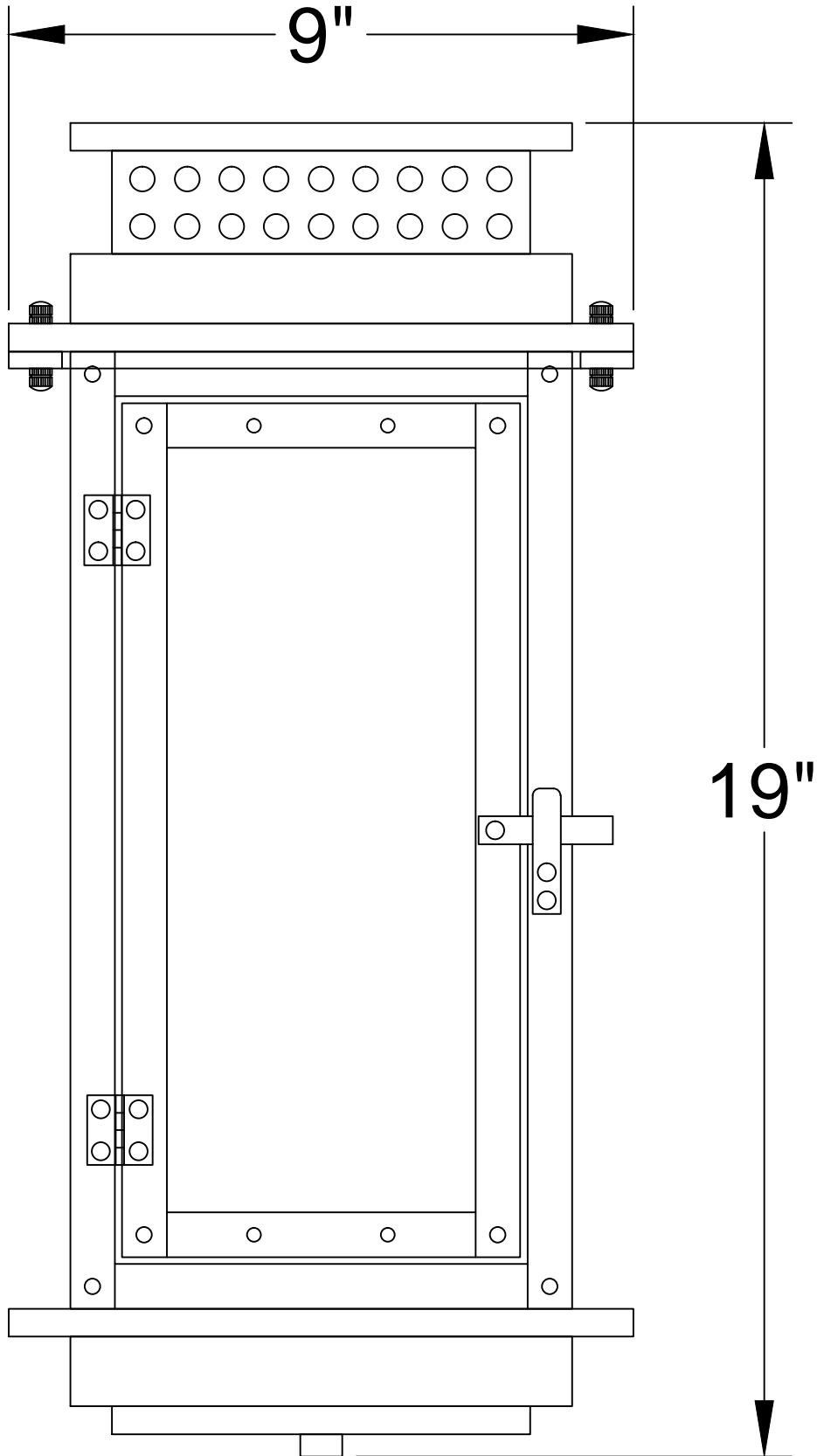
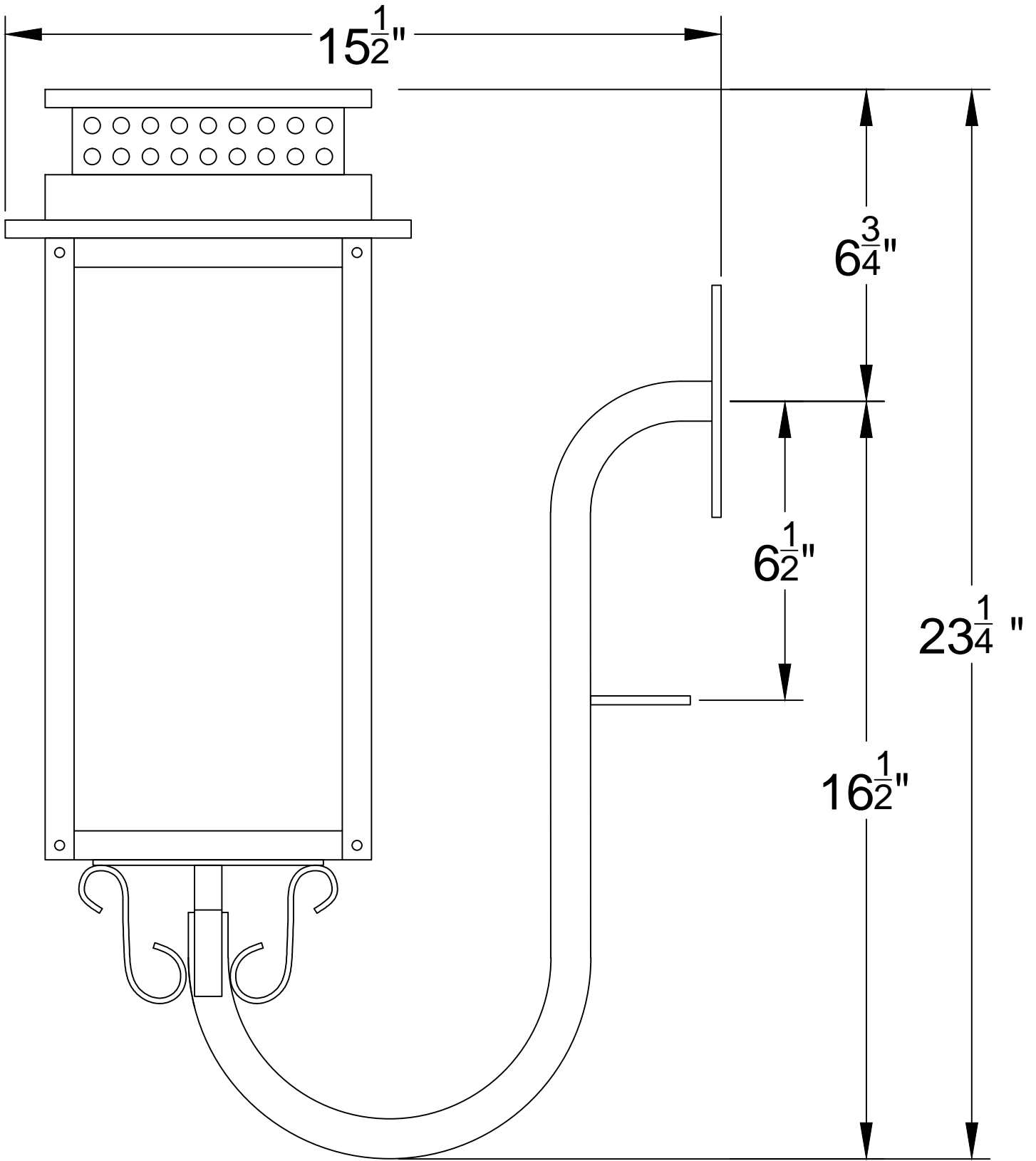


NV-19



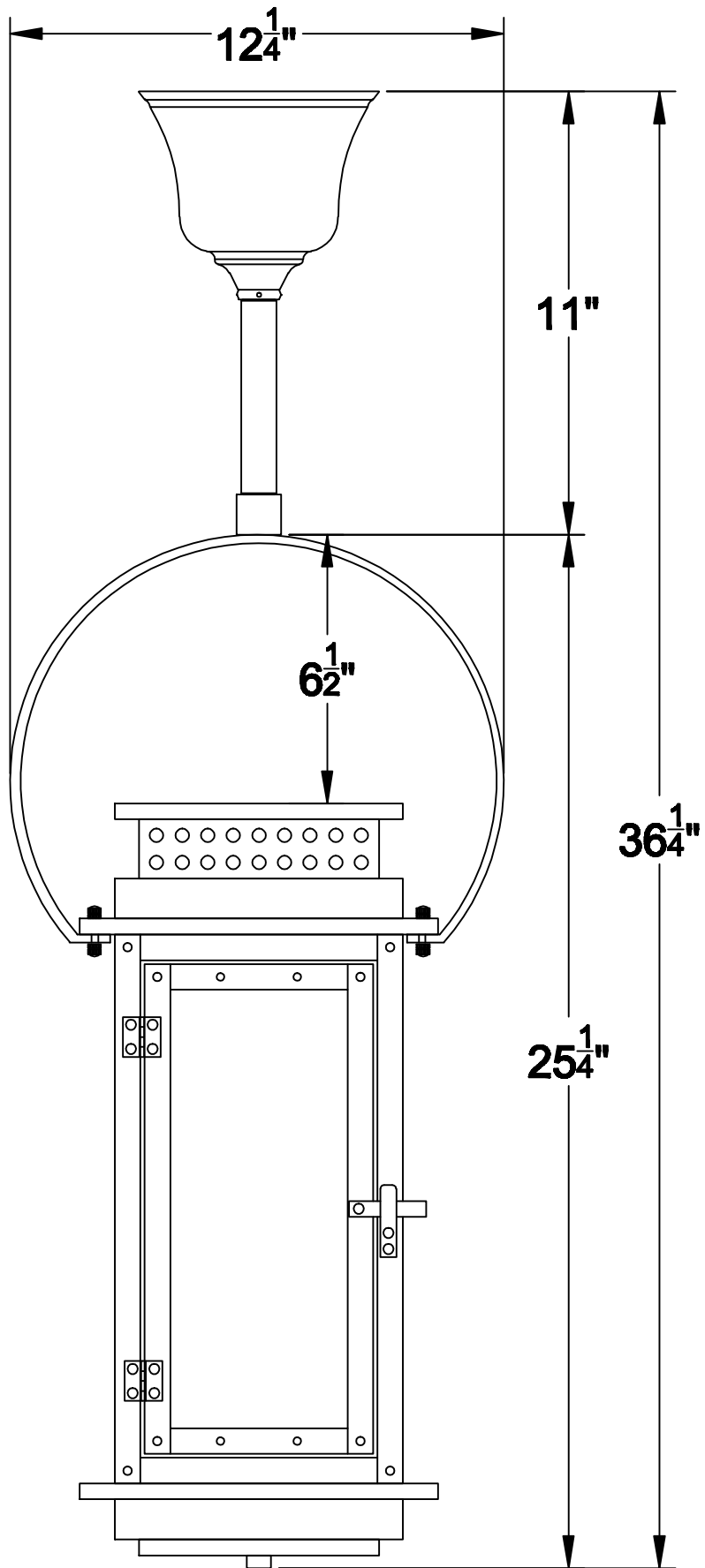
Front

NV-19



GN

NV-19



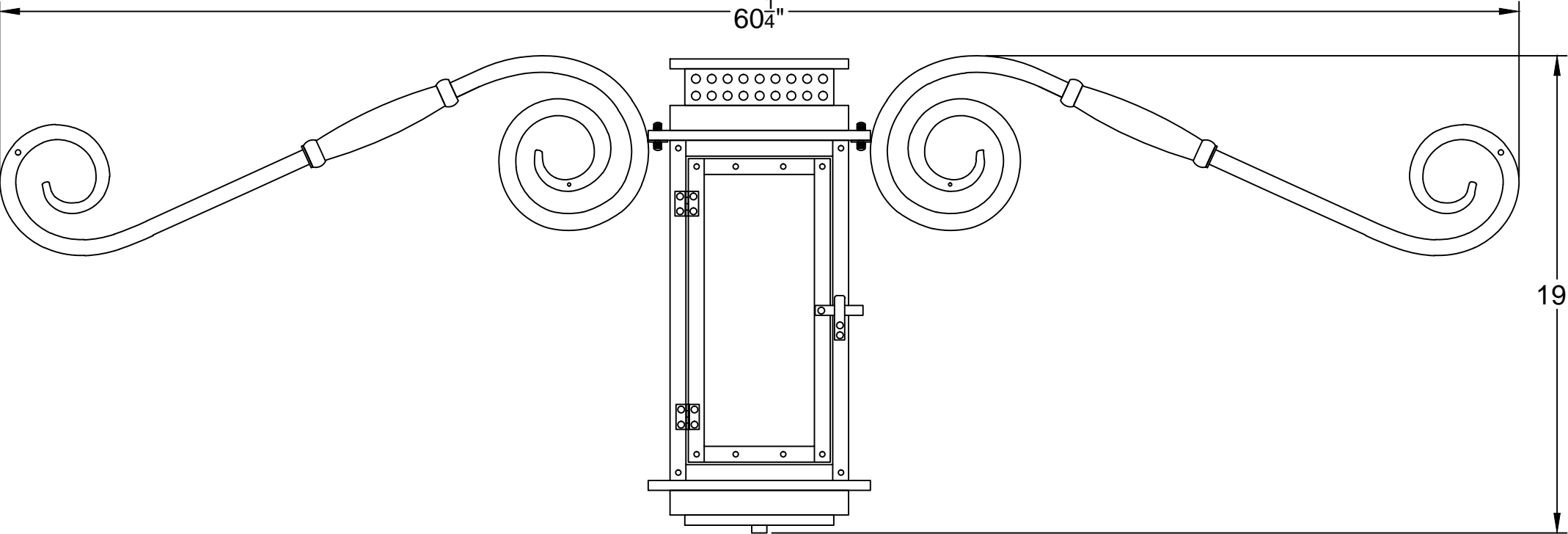
HY-1

NV-19

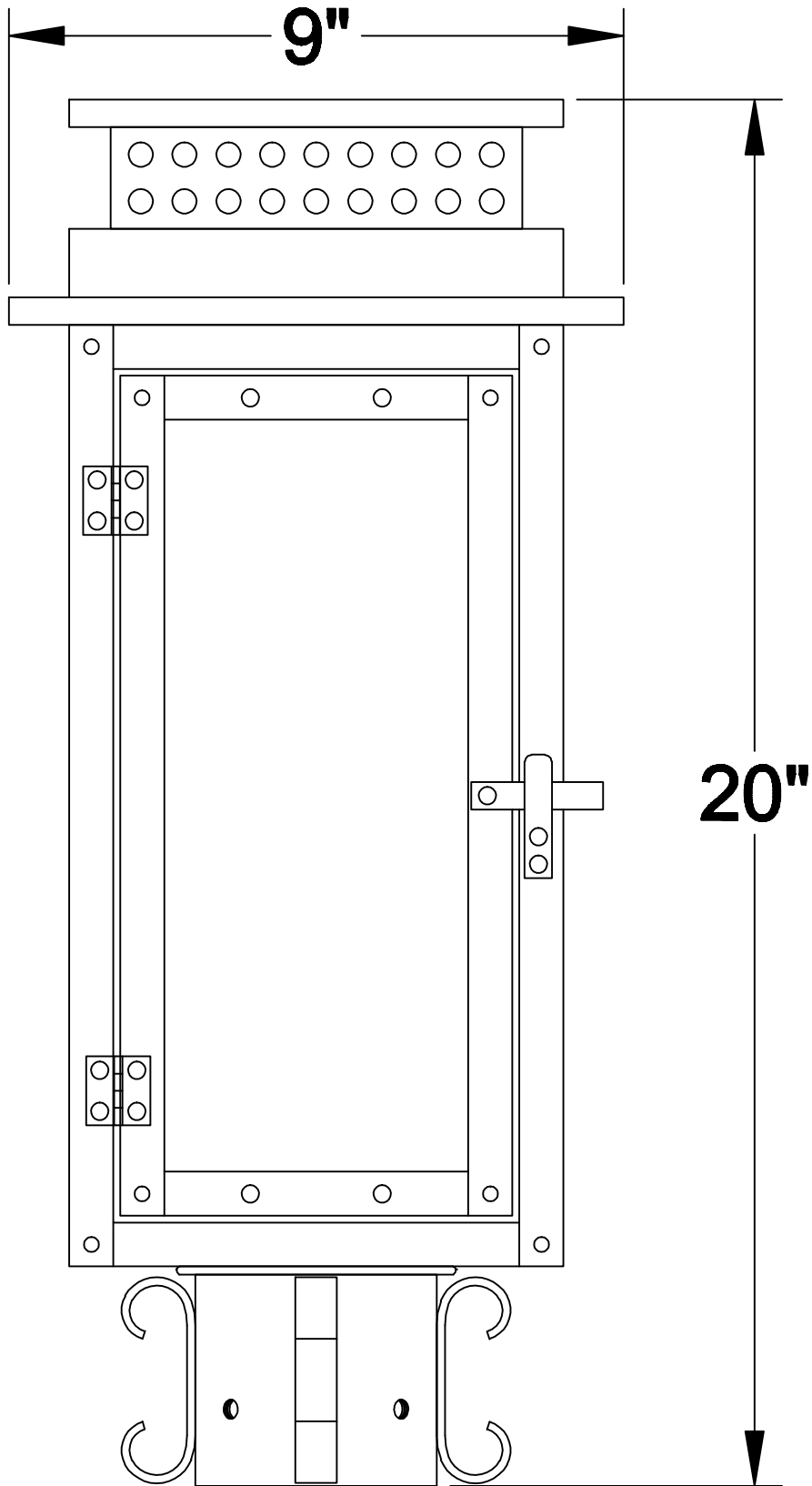
60¹/₄"

19"

MU

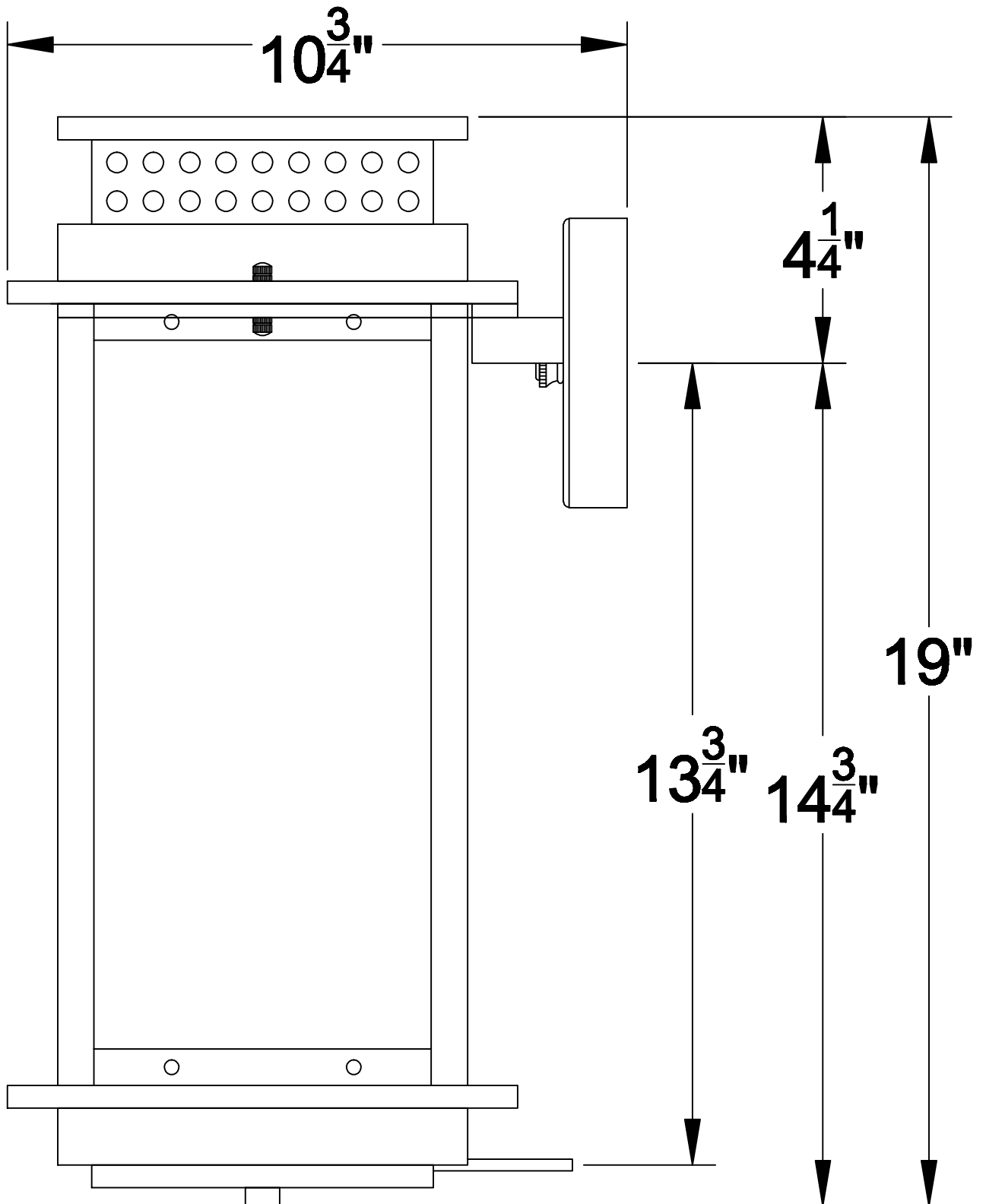


NV-19



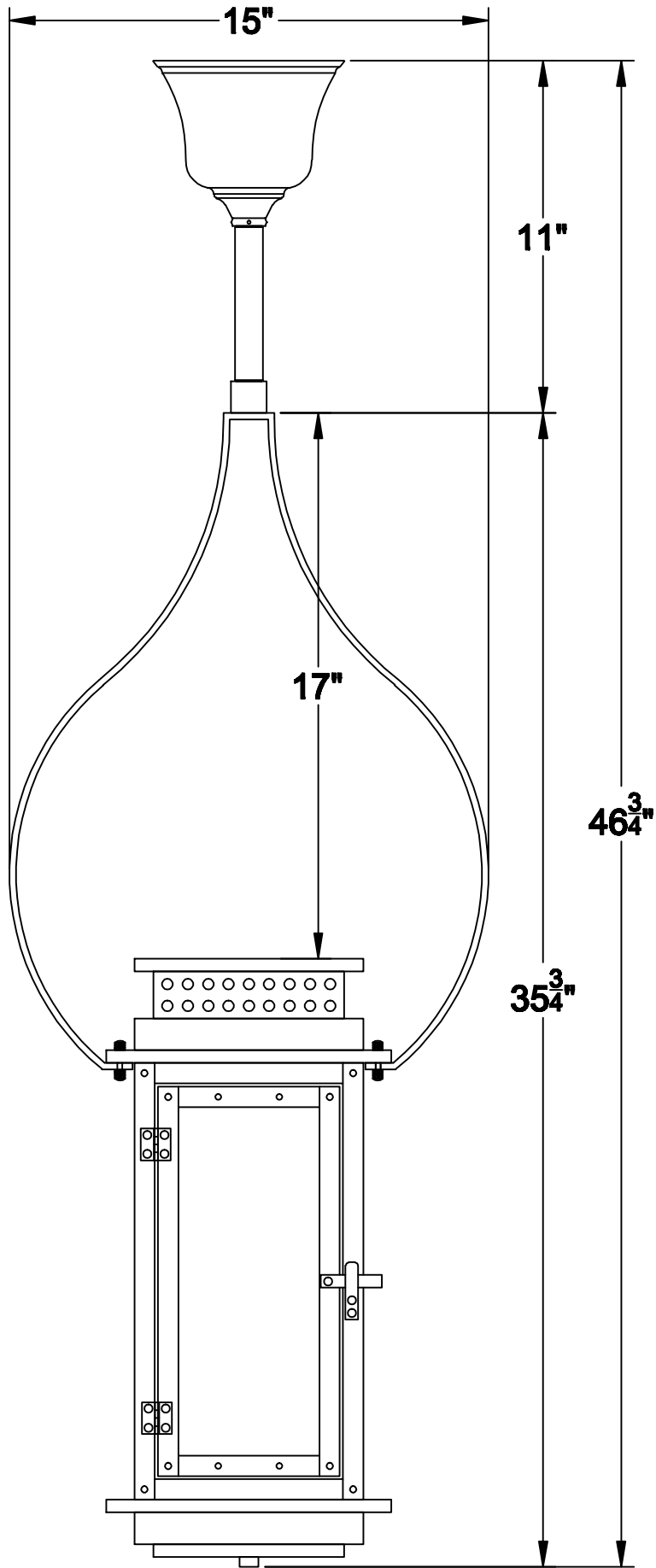
PM

NV-19



Side

NV-19



TY-1