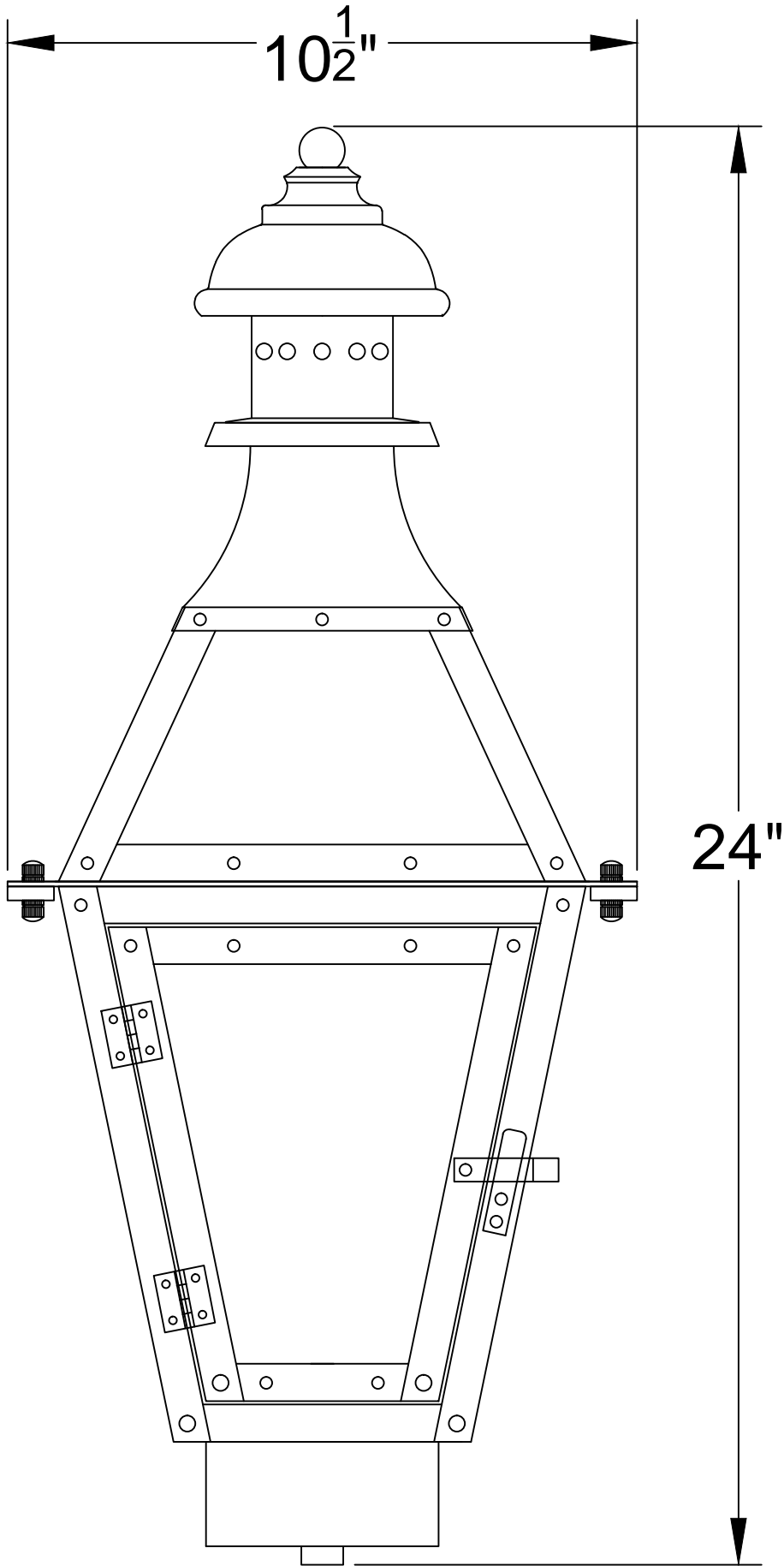
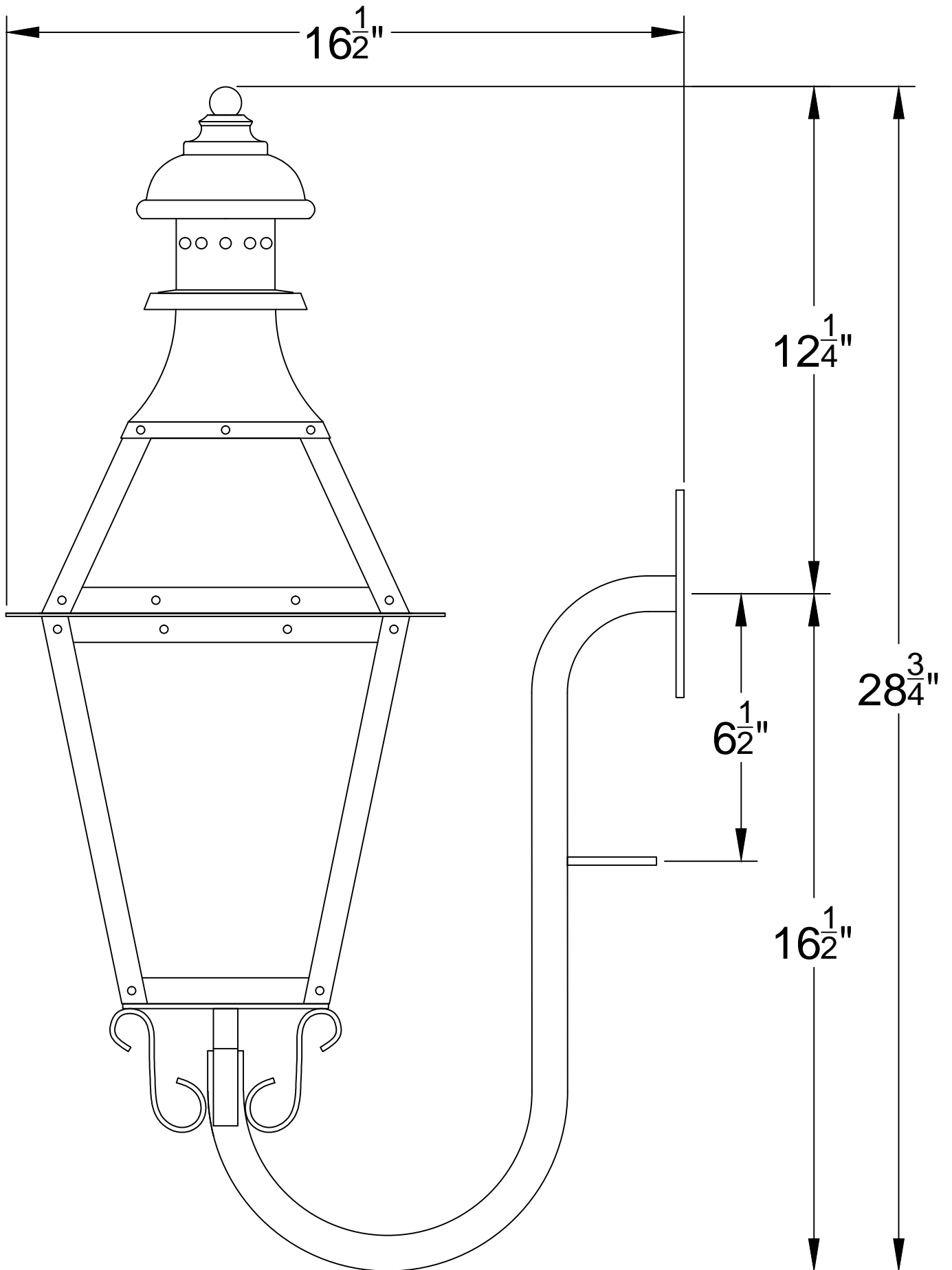


# JK-24



Front

# JK-24



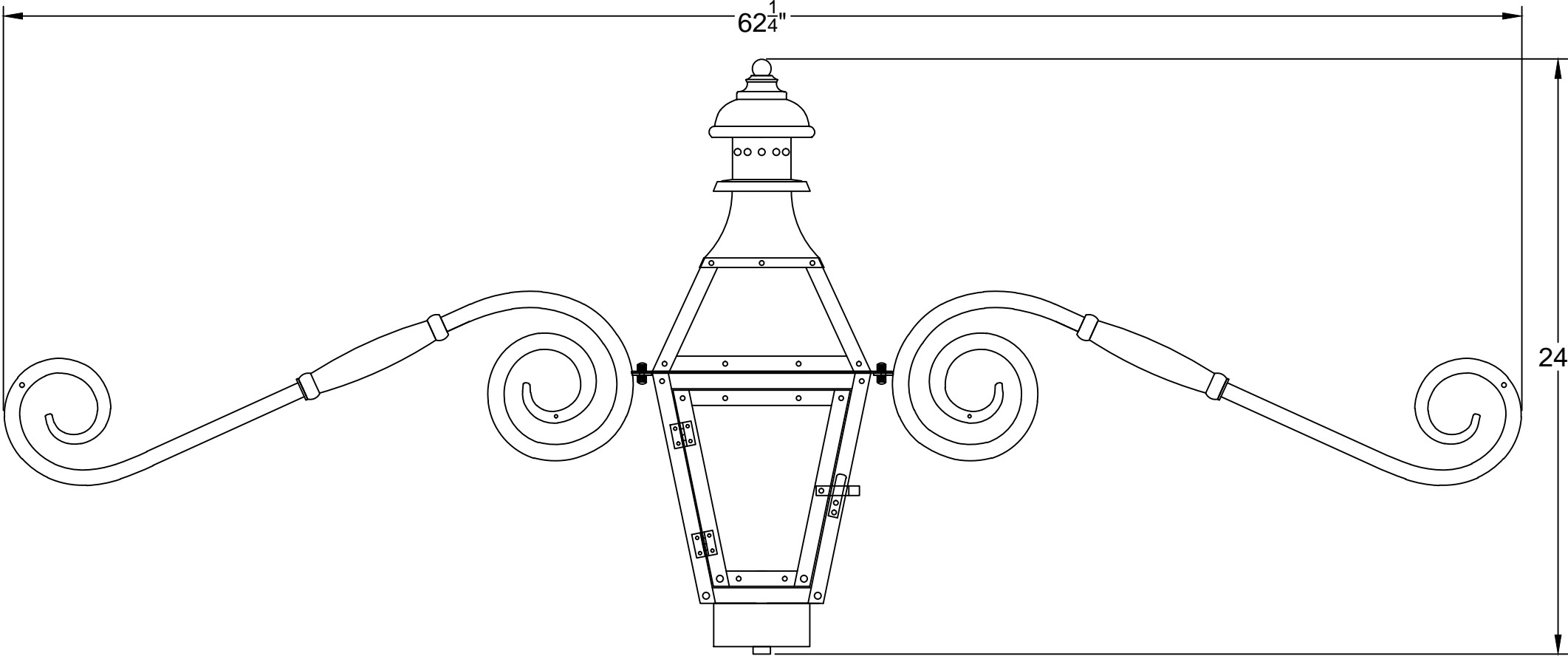
GN

JK-24

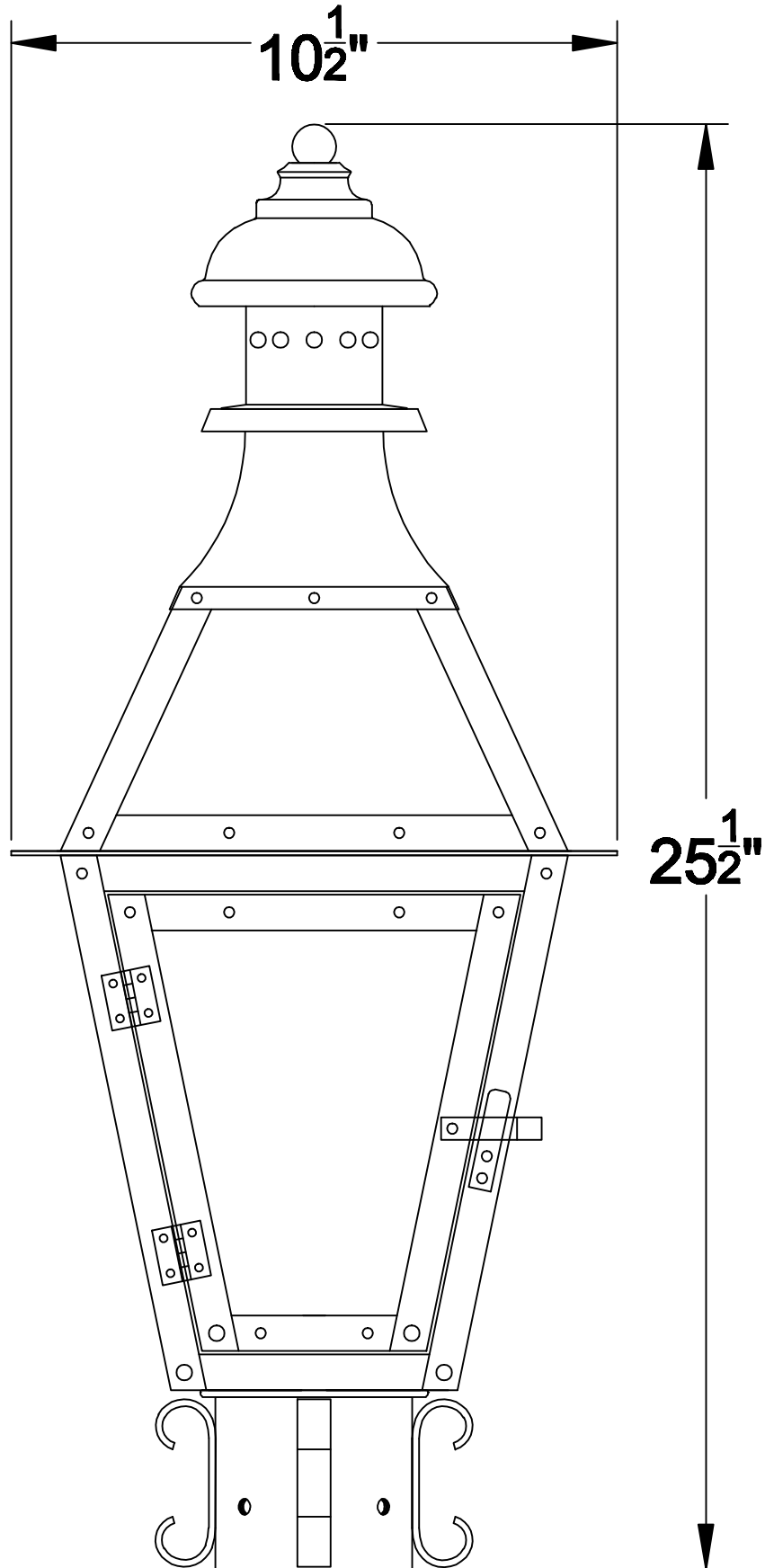
62<sup>1</sup>/<sub>4</sub>"

24"

MU

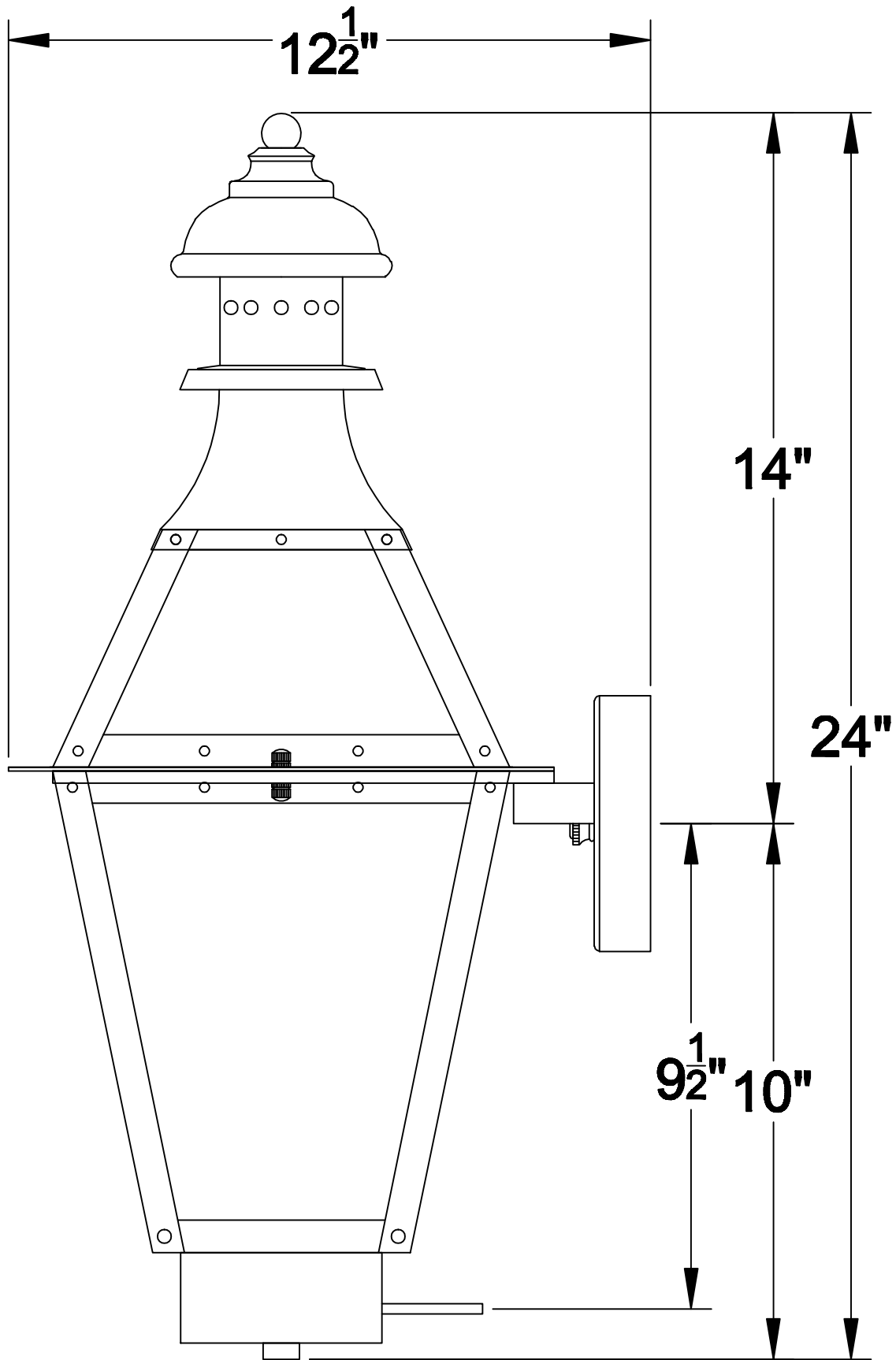


# JK-24



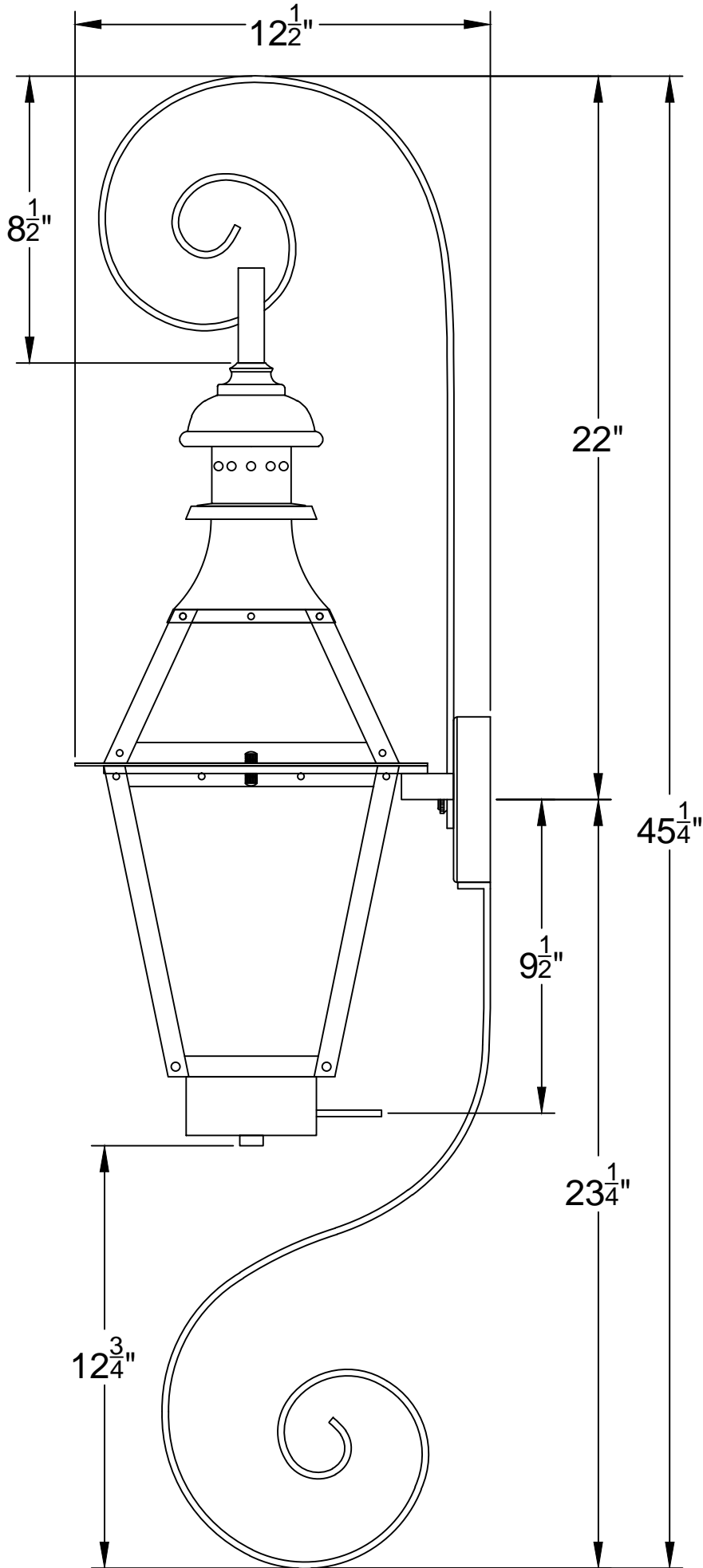
# PM

# JK-24



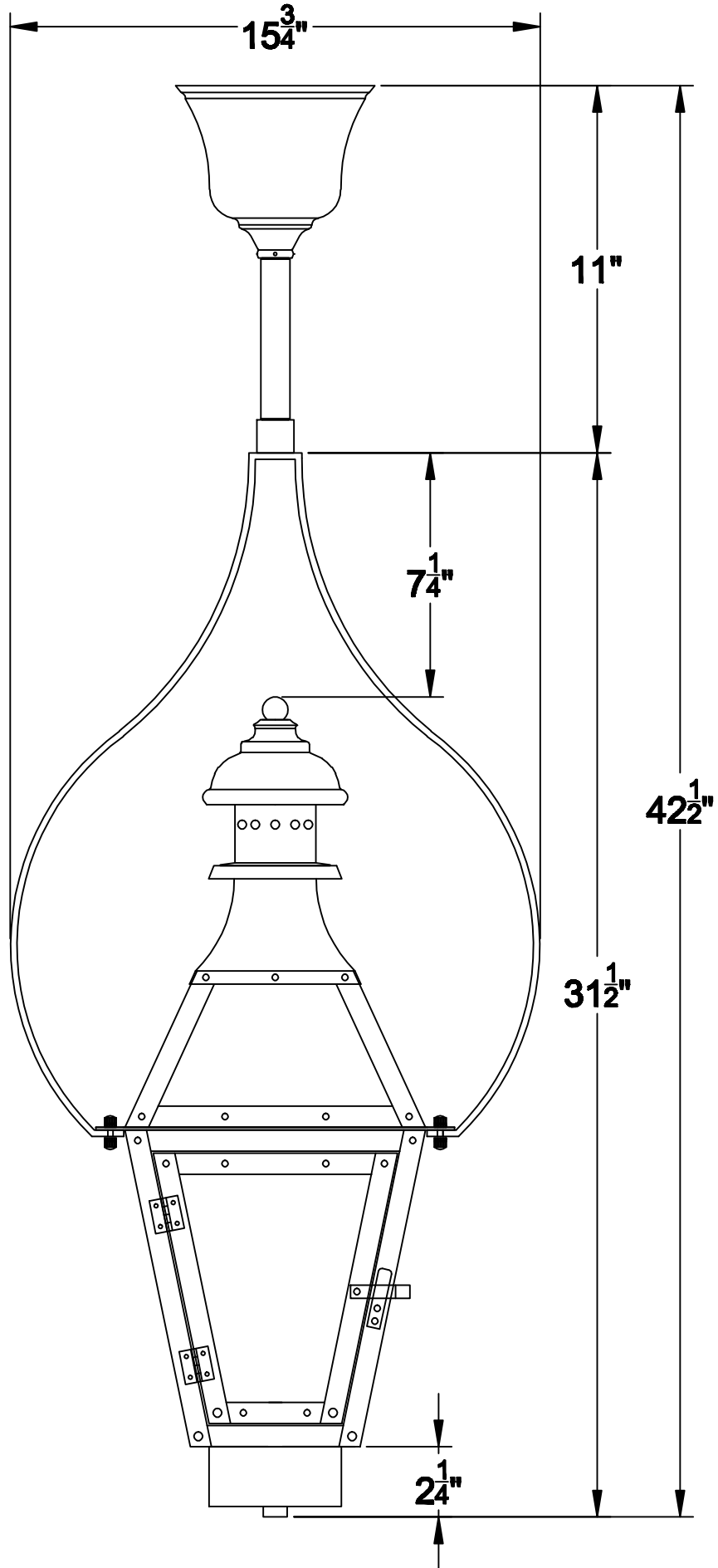
Side

JK-24



TS-2 BS-1

**JK-24**



**TY-1**