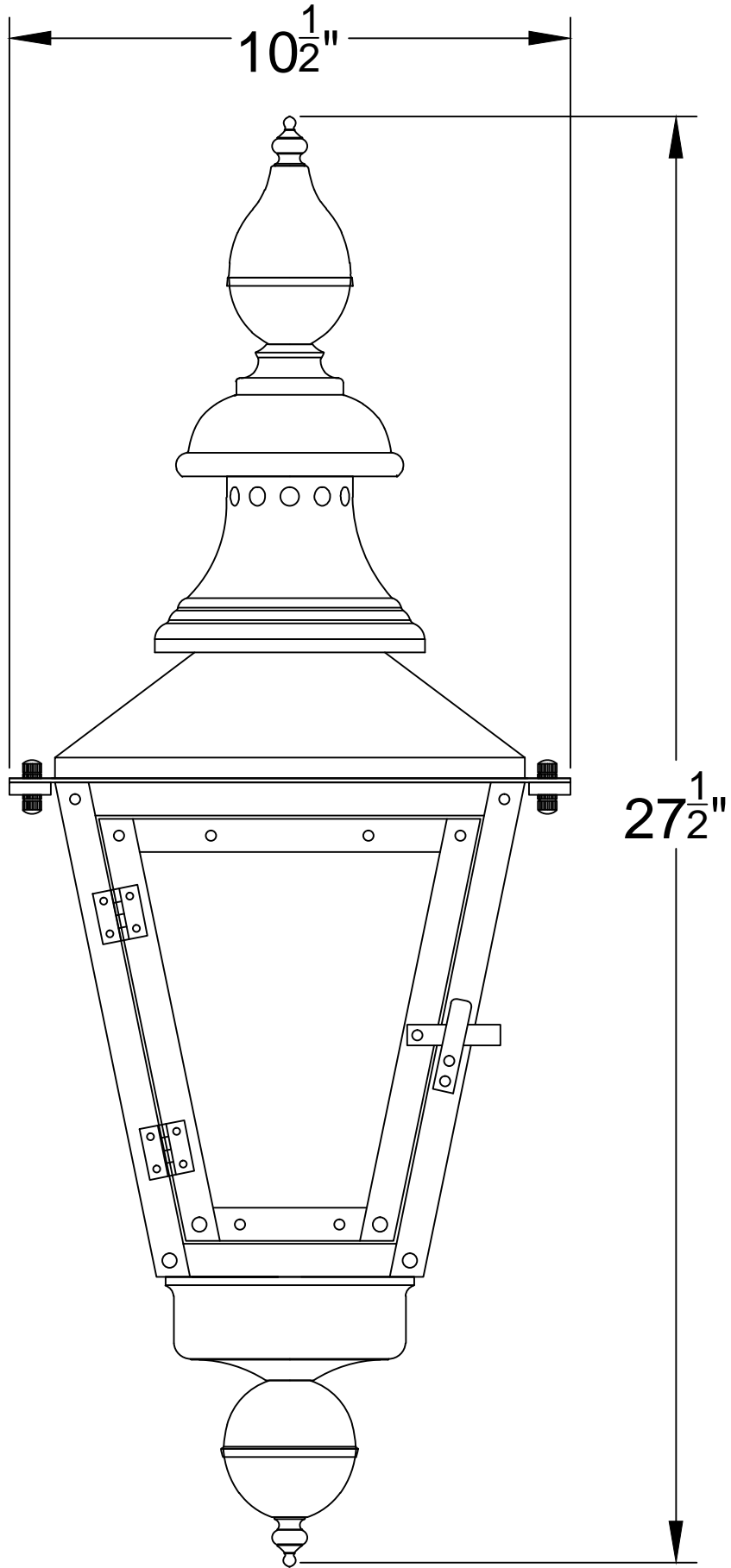
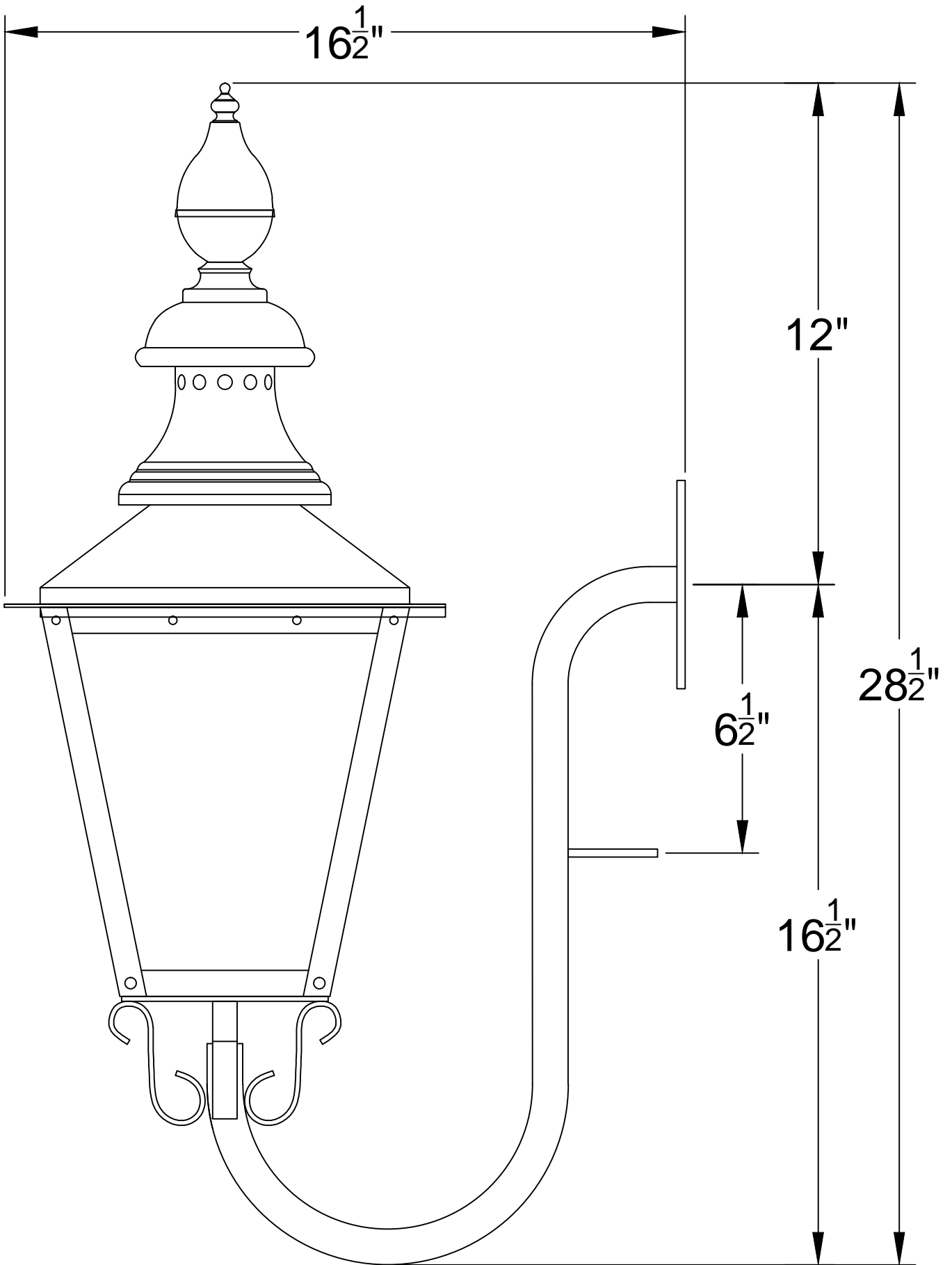


CT-27



Front

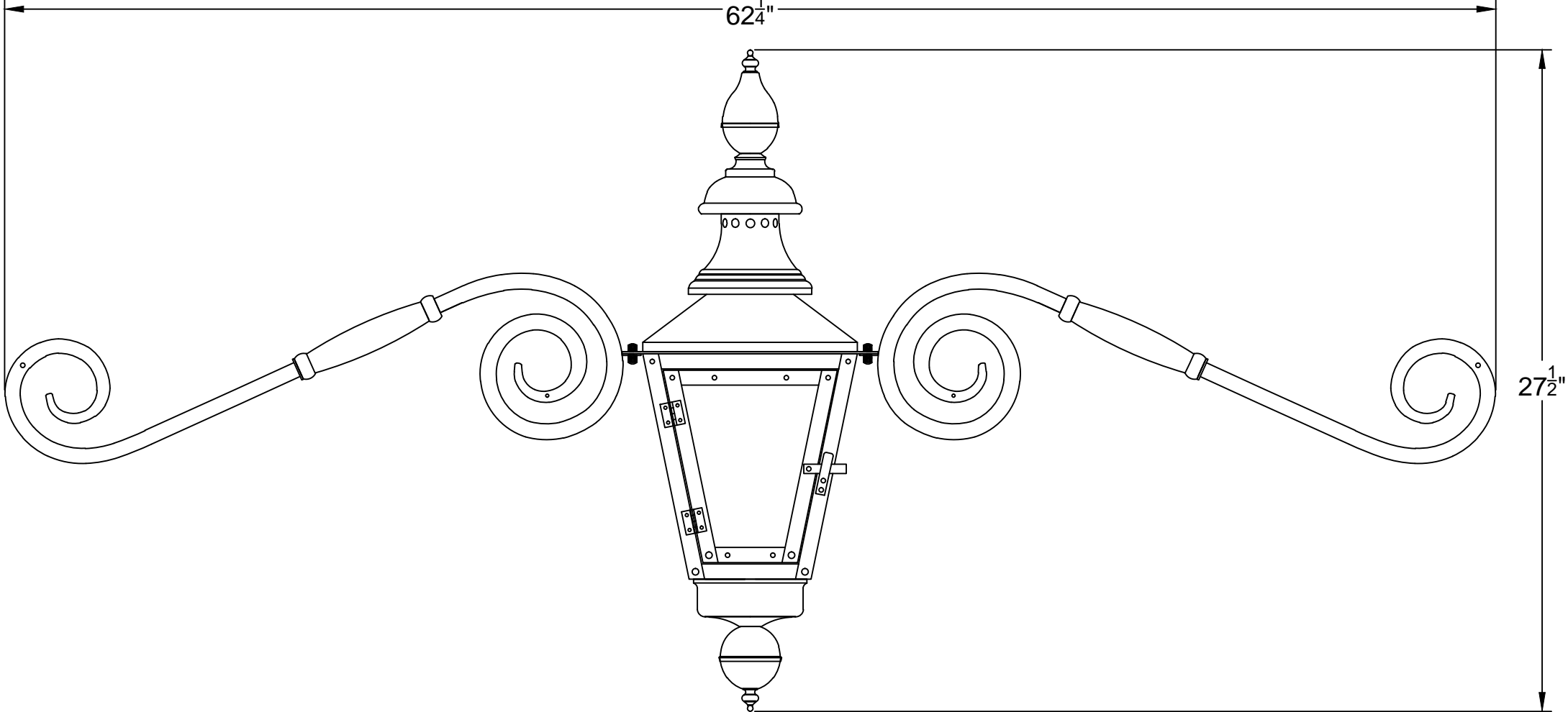
CT-27



GN

CT-27

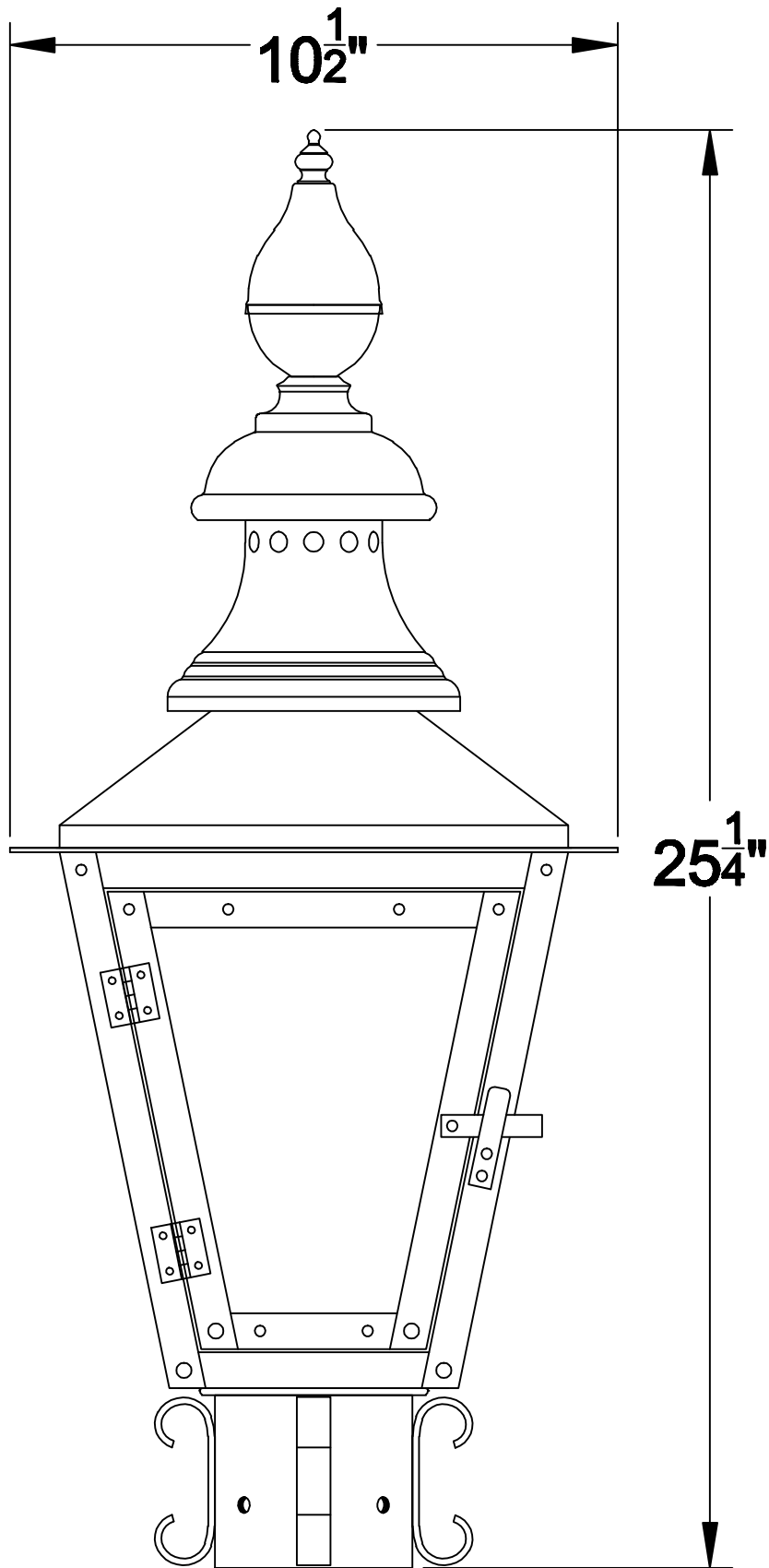
62 $\frac{1}{4}$ "



27 $\frac{1}{2}$ "

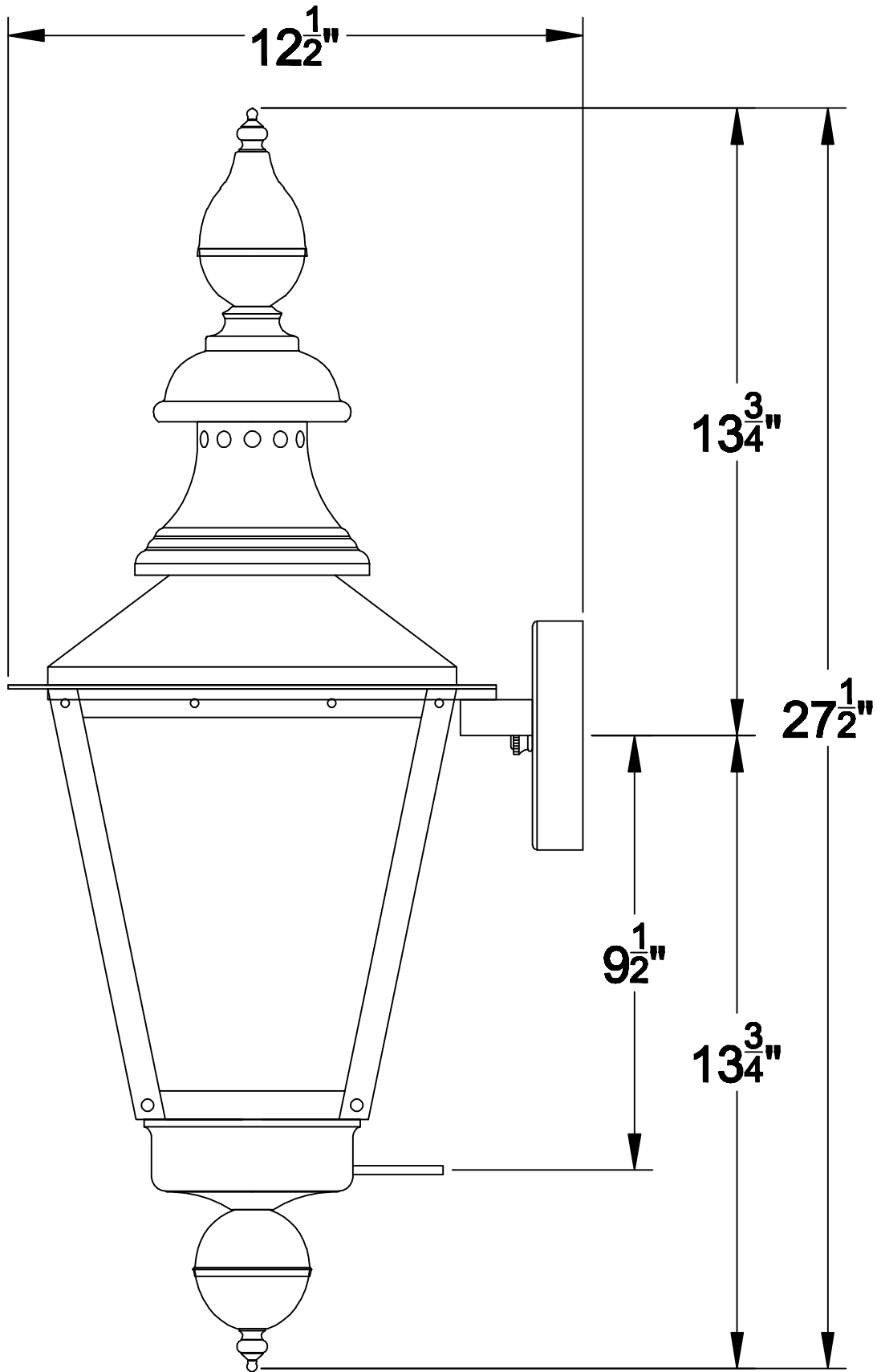
MU

CT-27



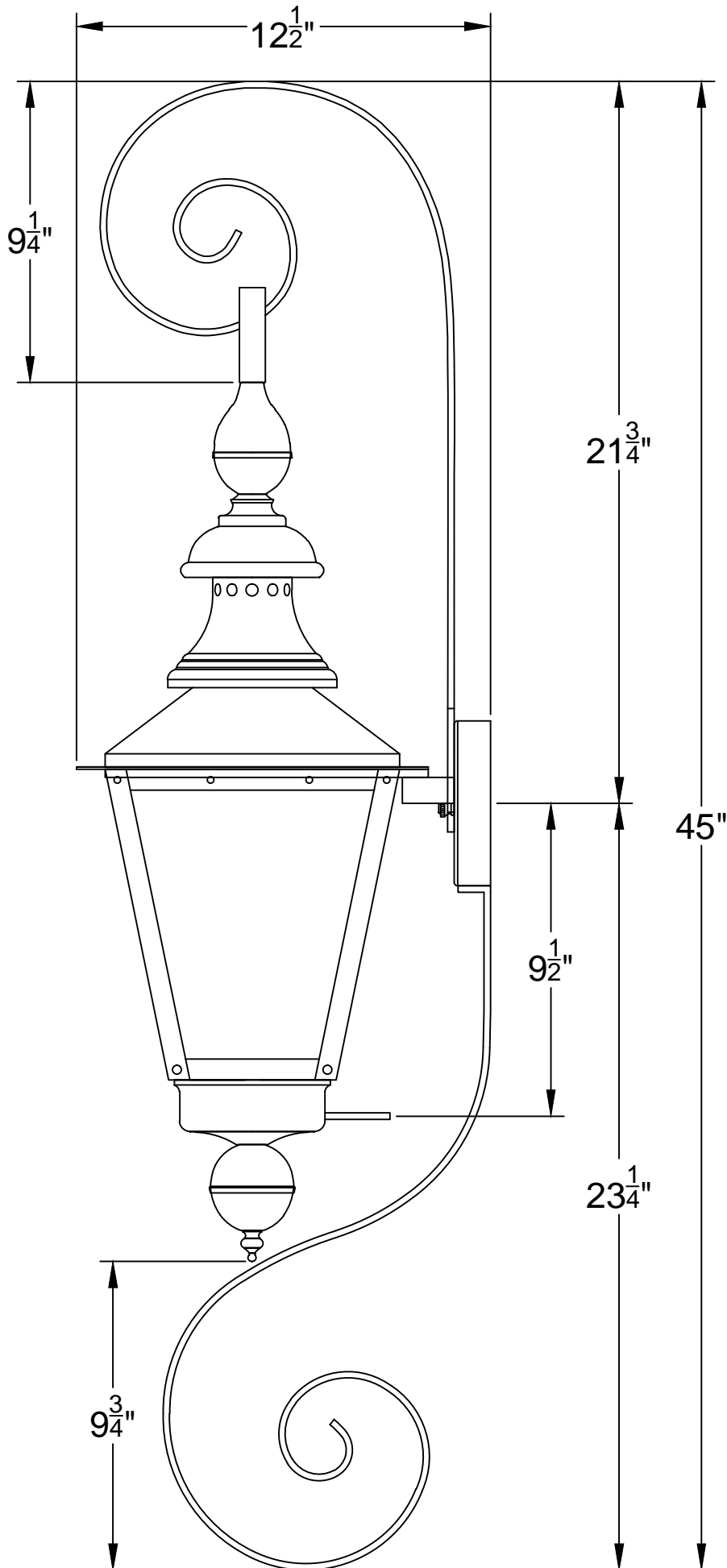
PM

CT-27



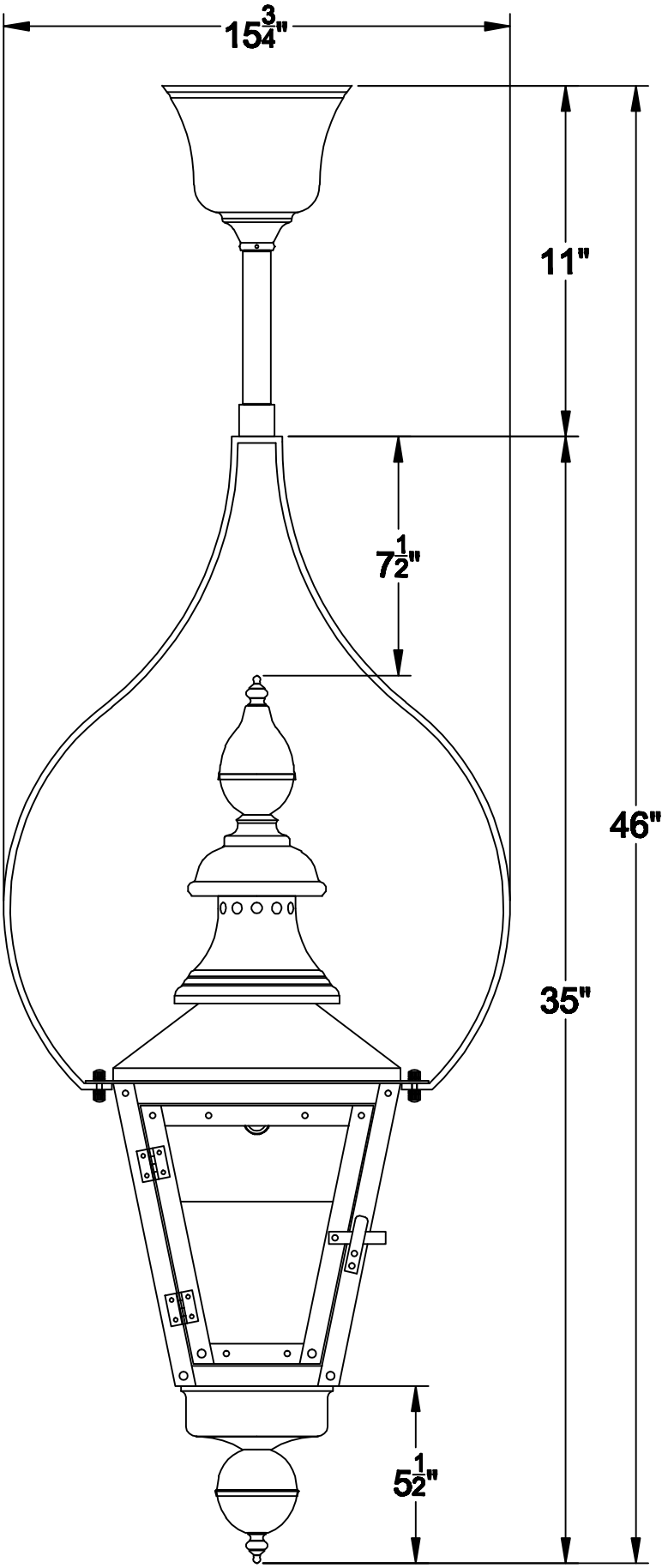
Side

CT-27



TS-2 BS-1

CT-27



TY-1