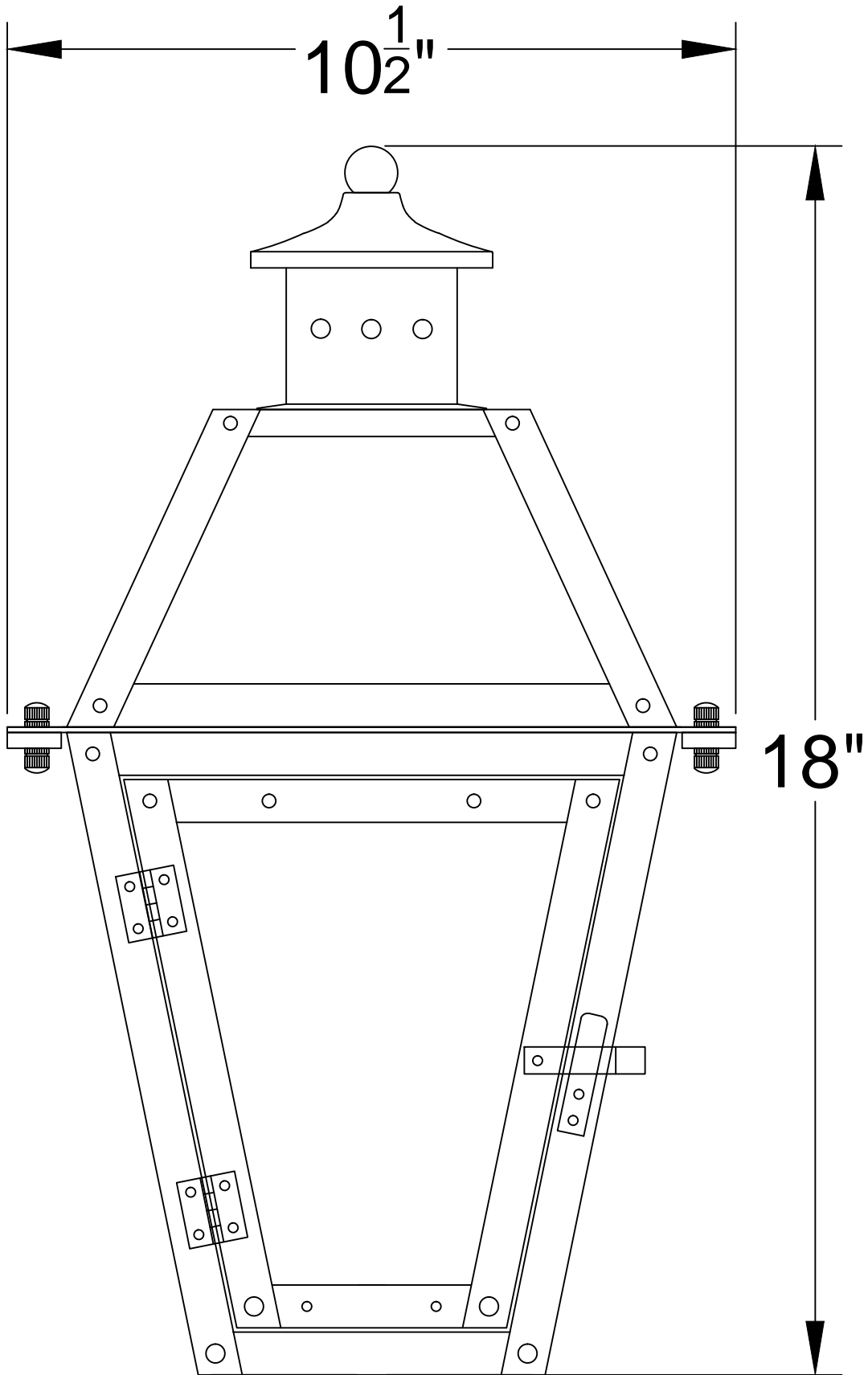
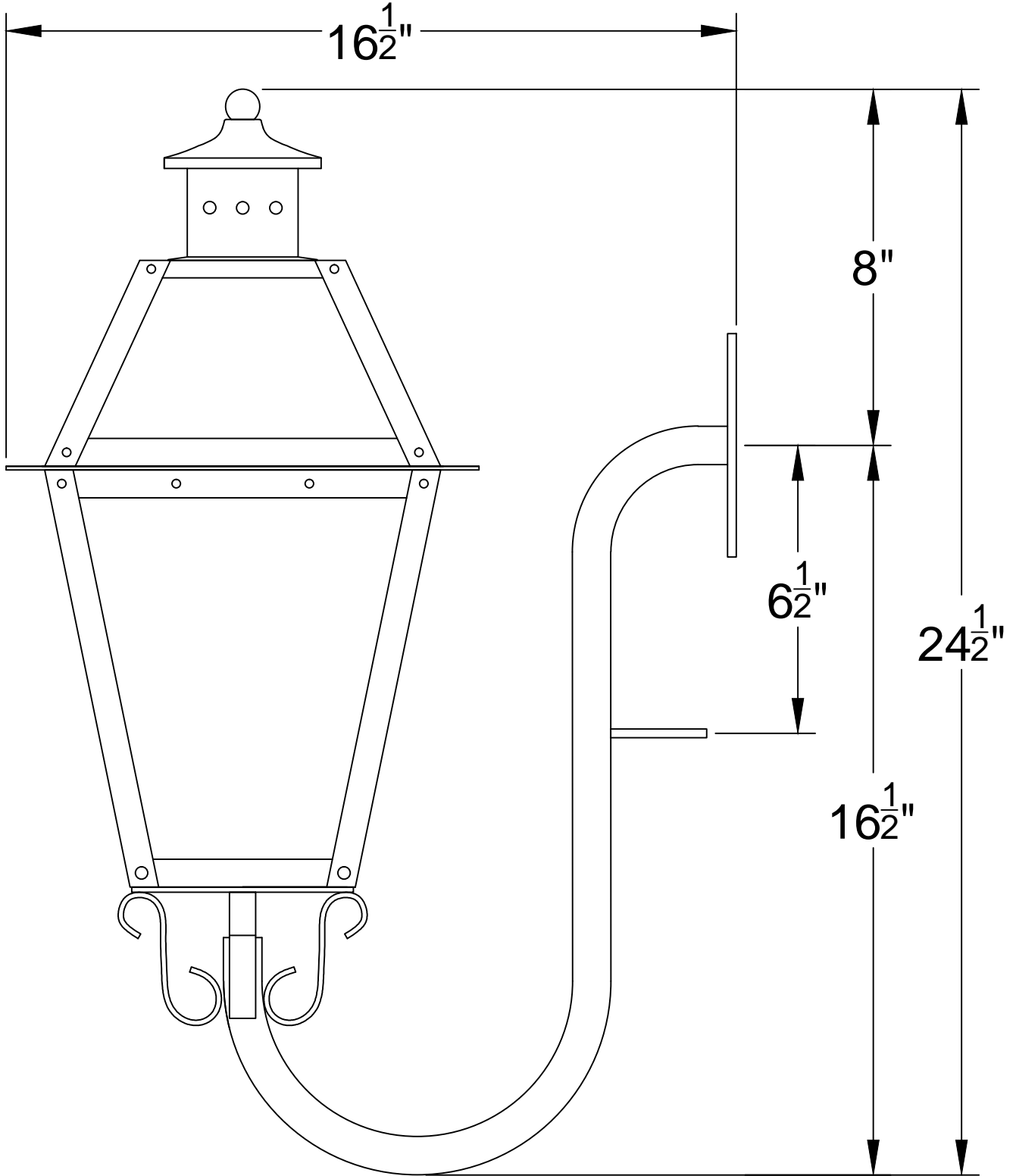


OL-18



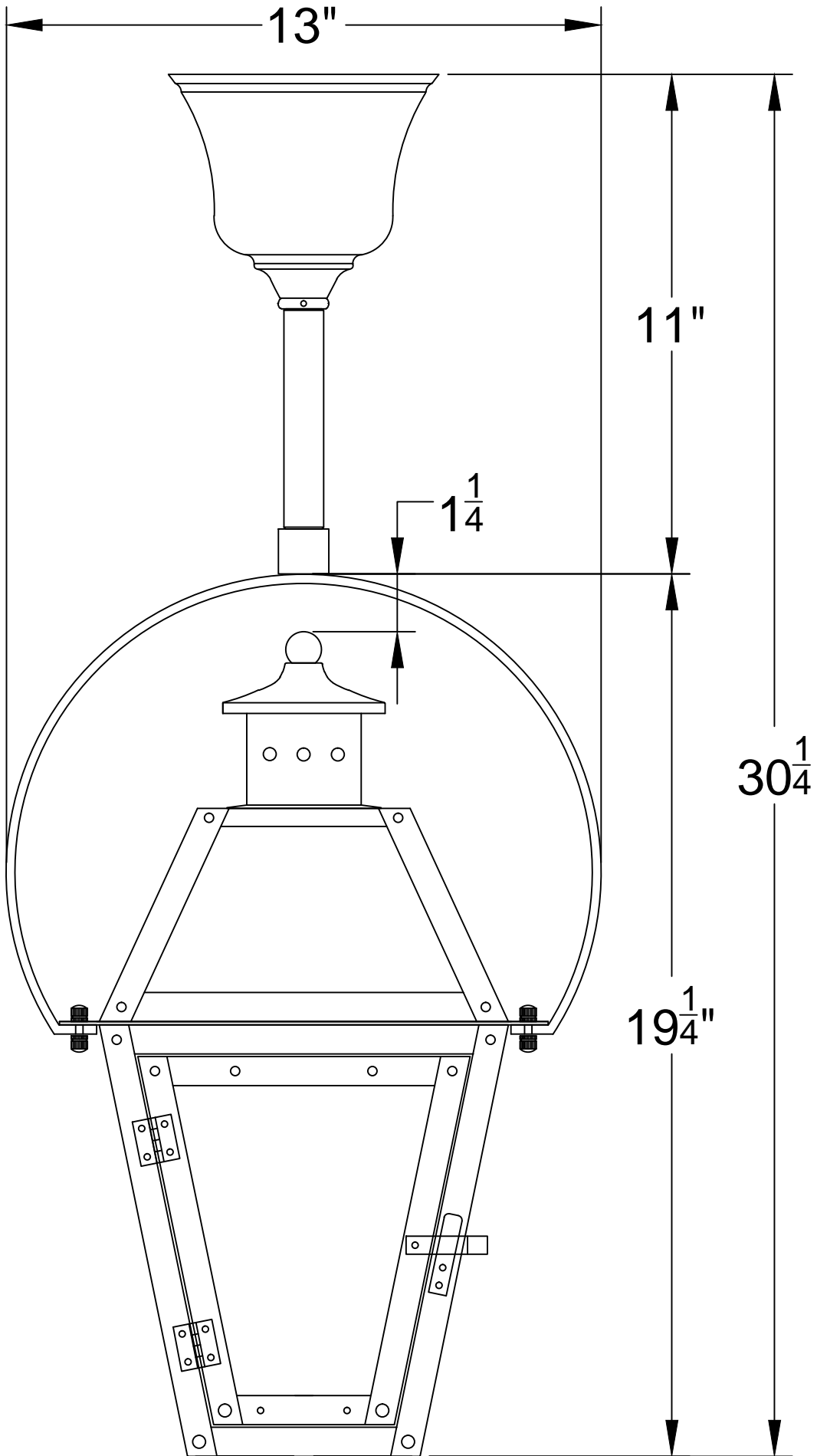
Front

OL-18

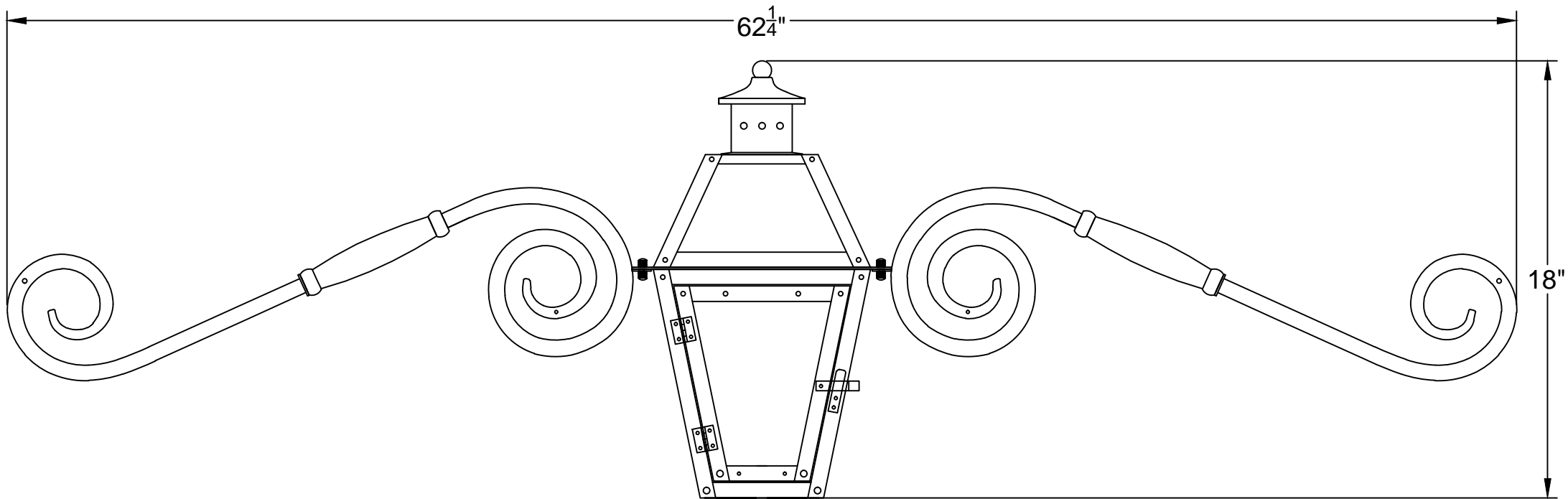


GN

OL-18

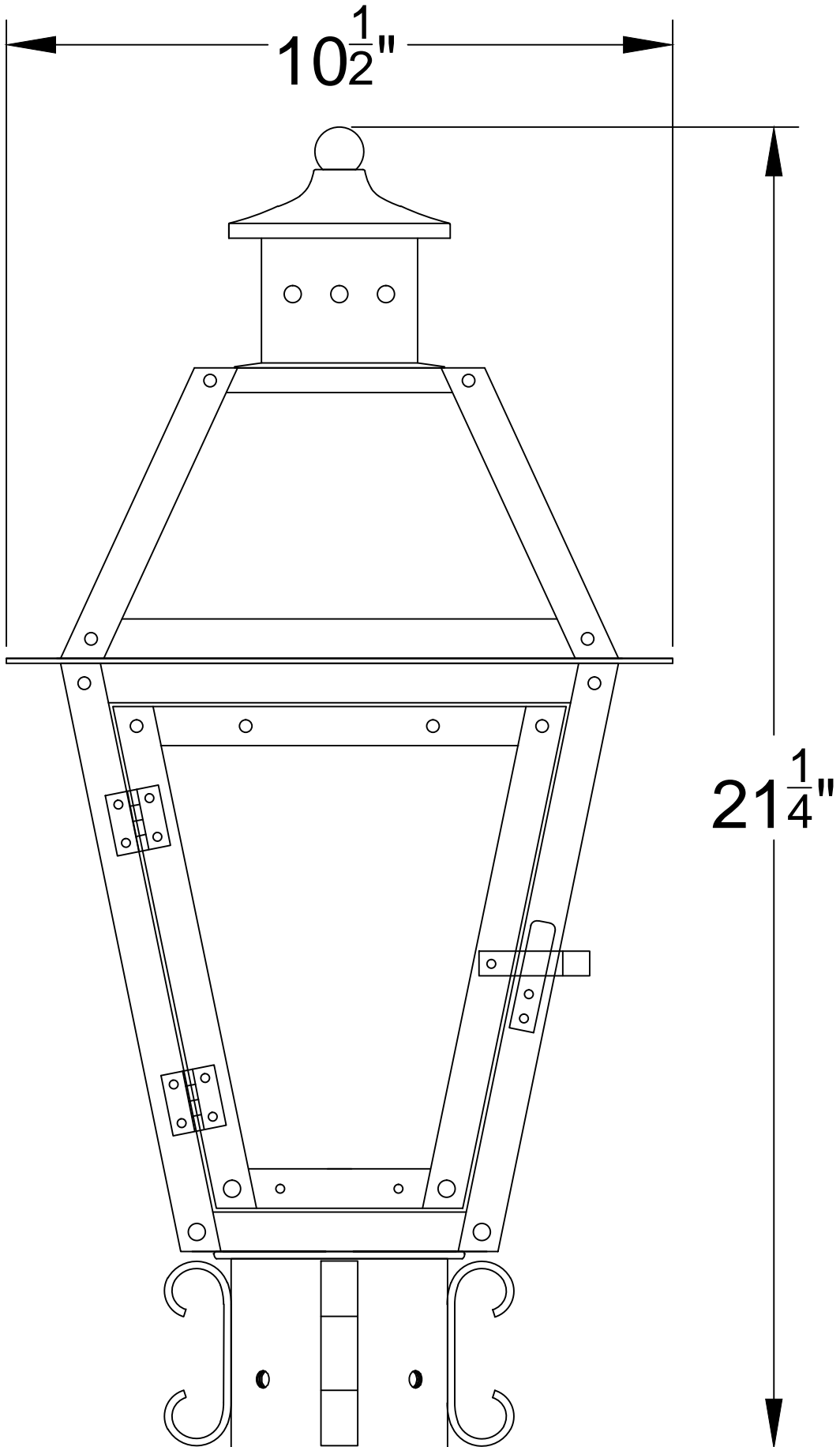


HY-1



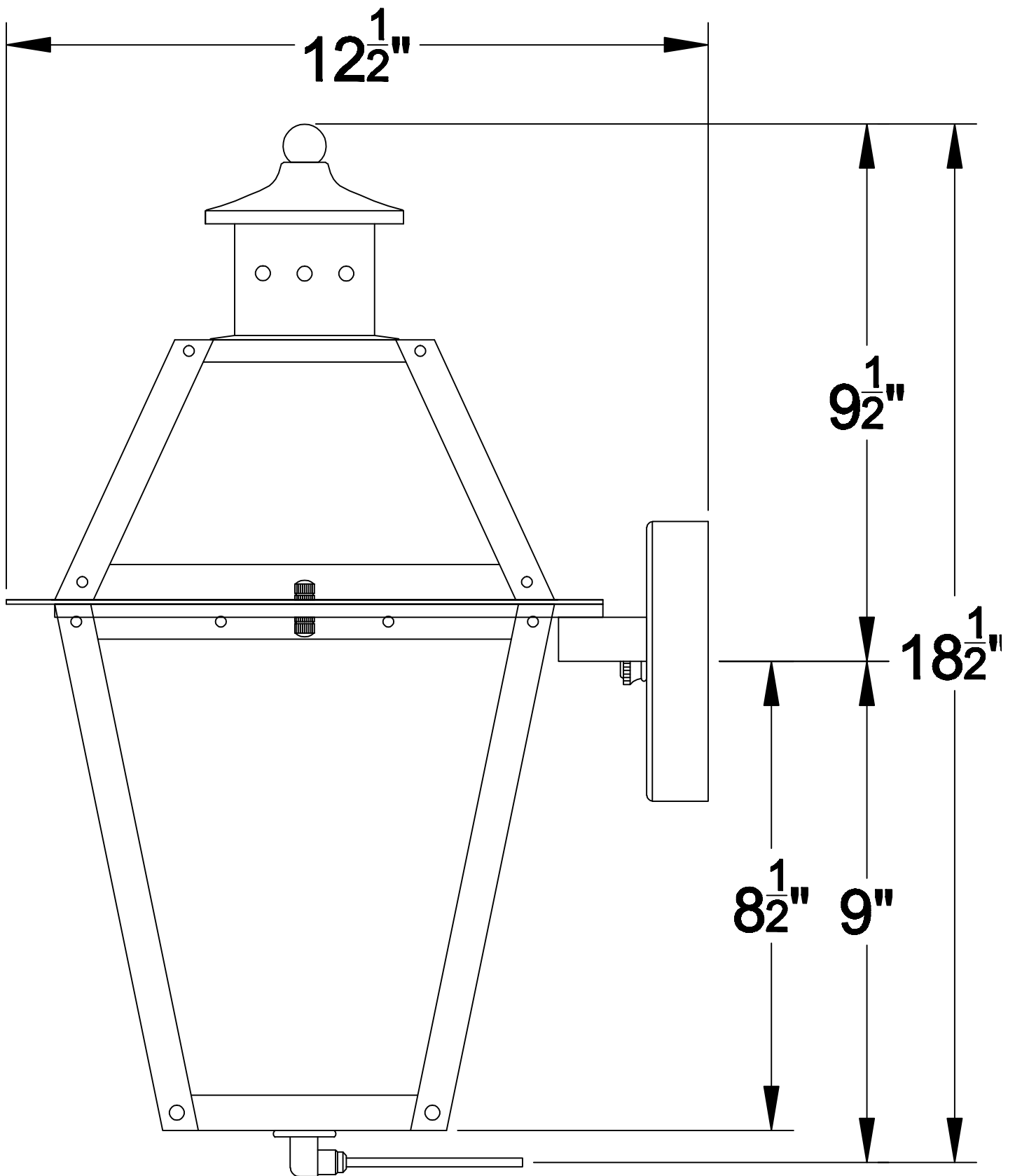
MU

OL-18



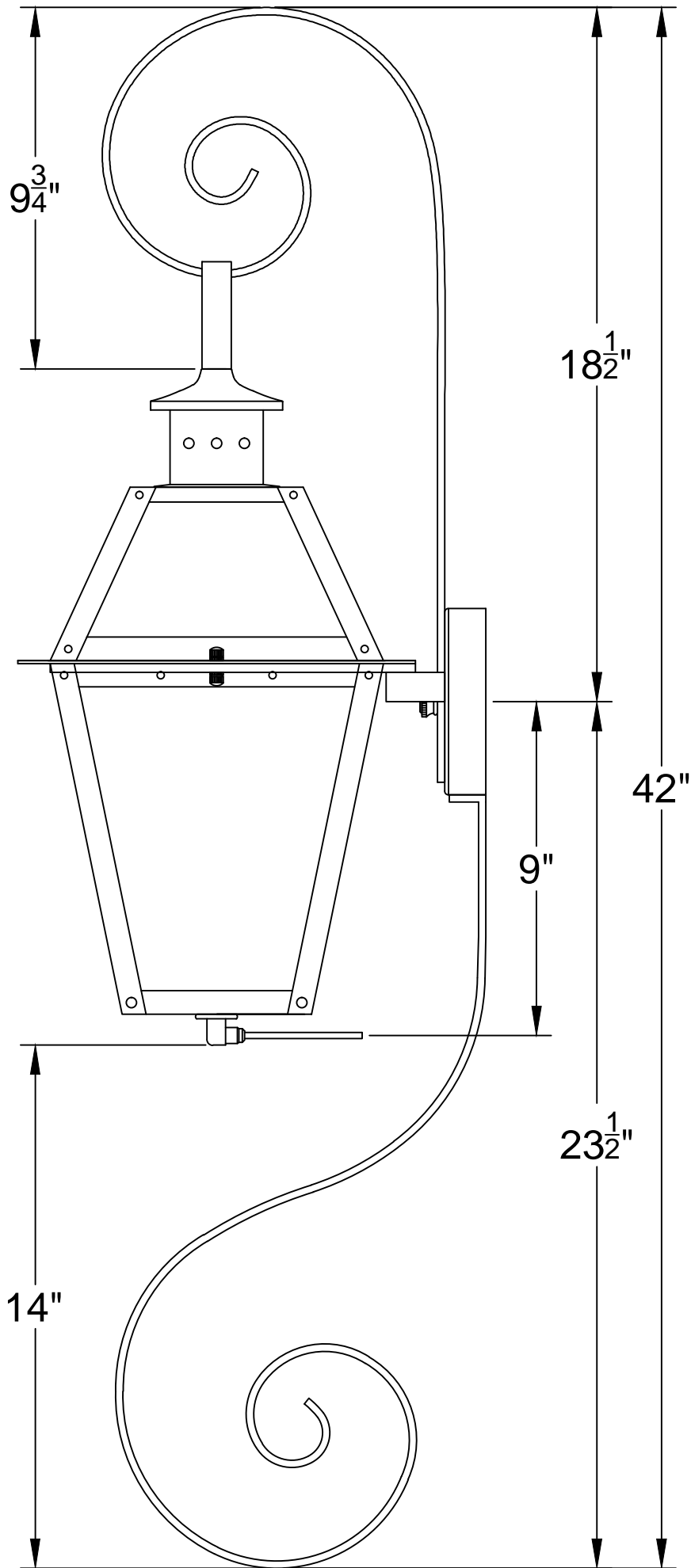
PM

OL-18



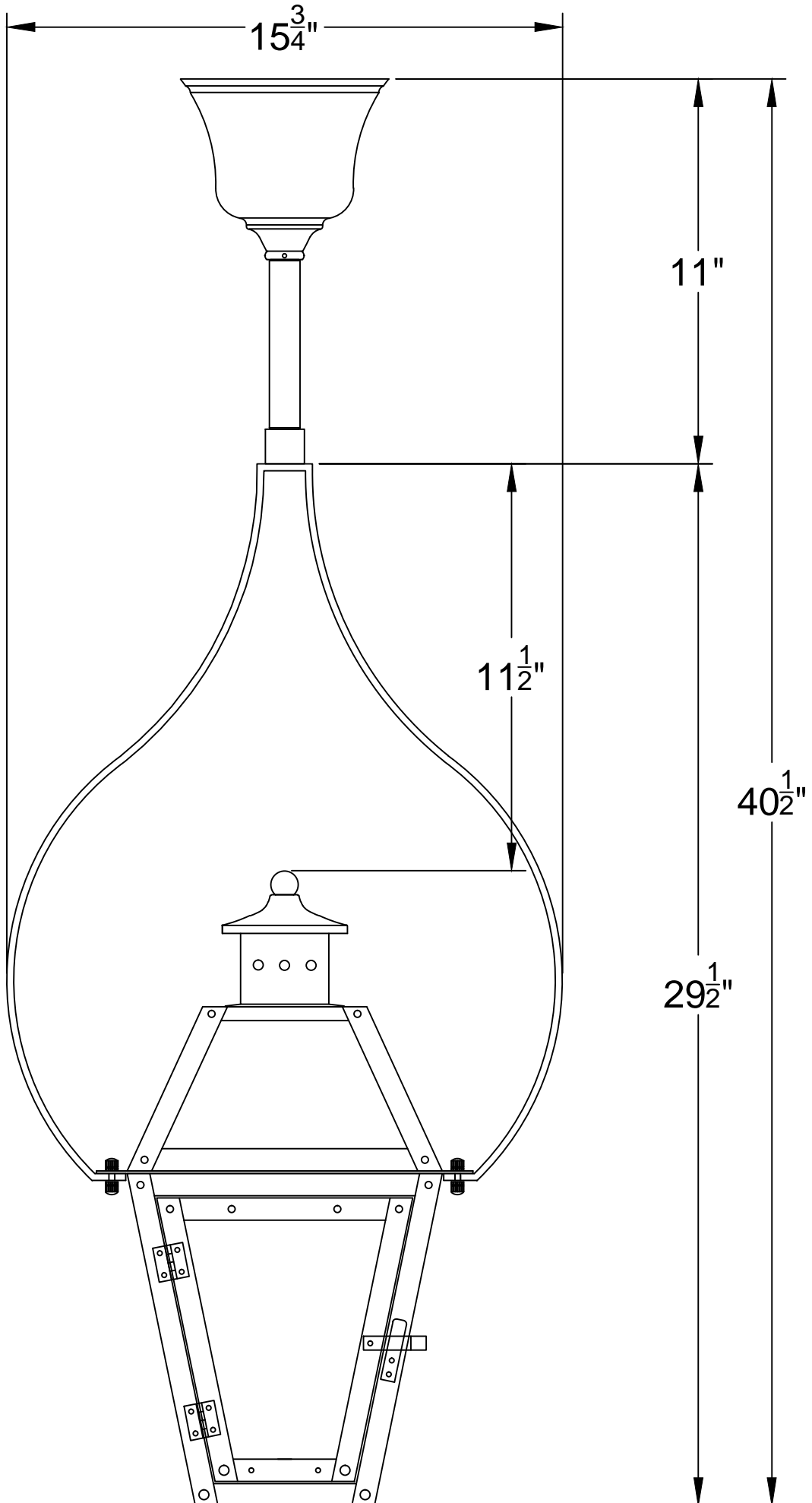
Side

OL-18



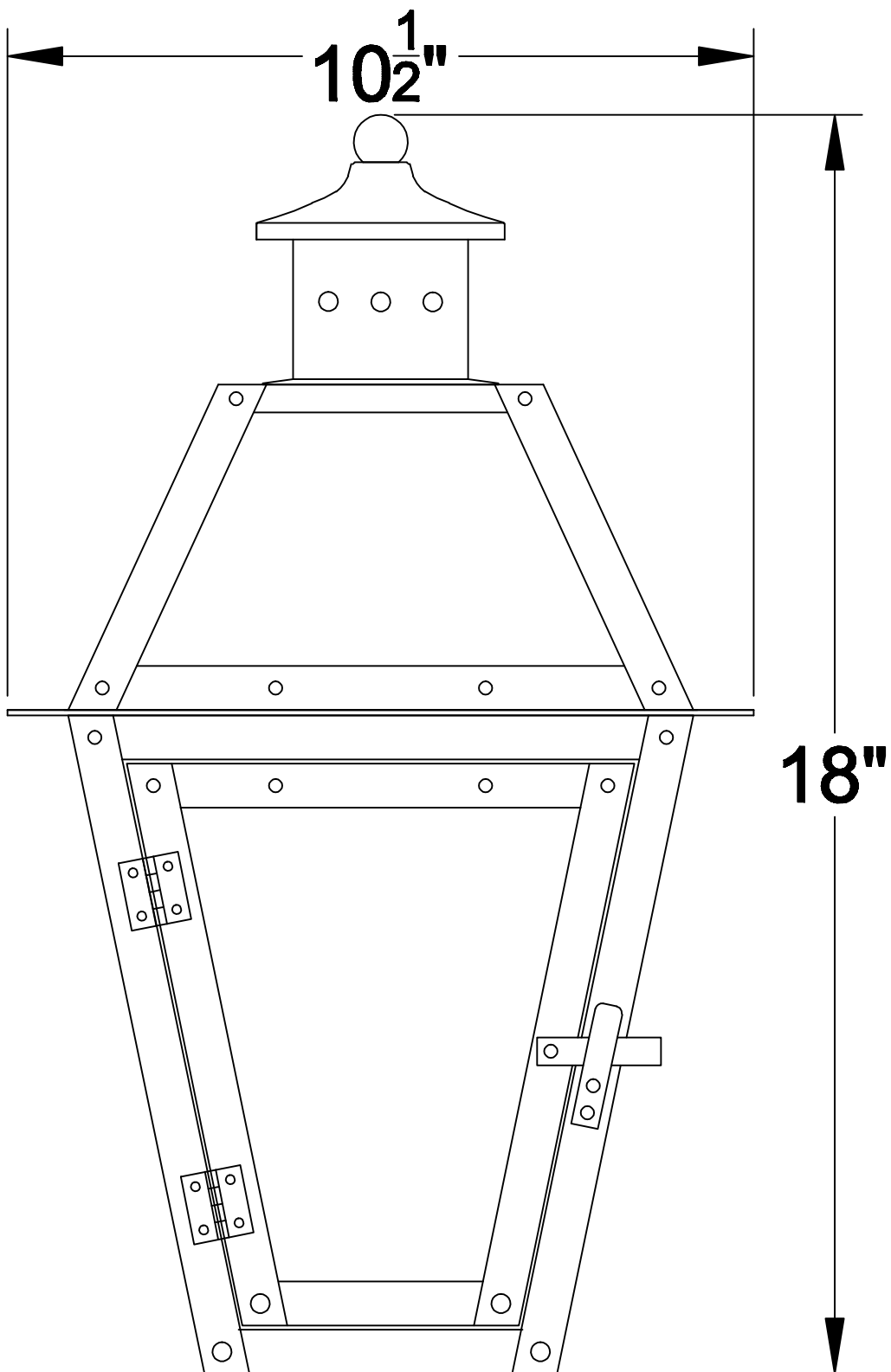
TS-1 BS-1

OL-18



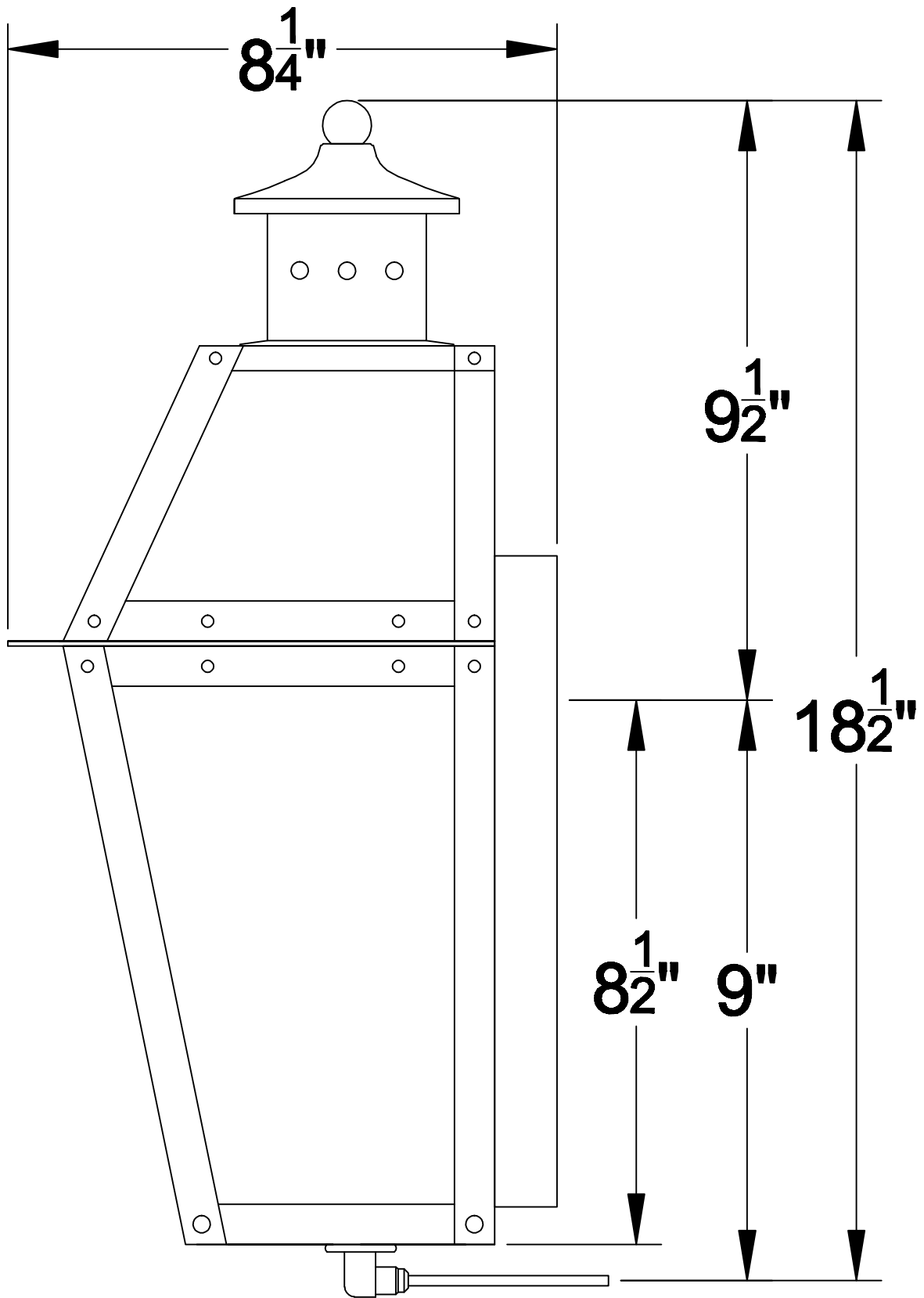
TY-1

OL-18F



Front

OL-18F



Side