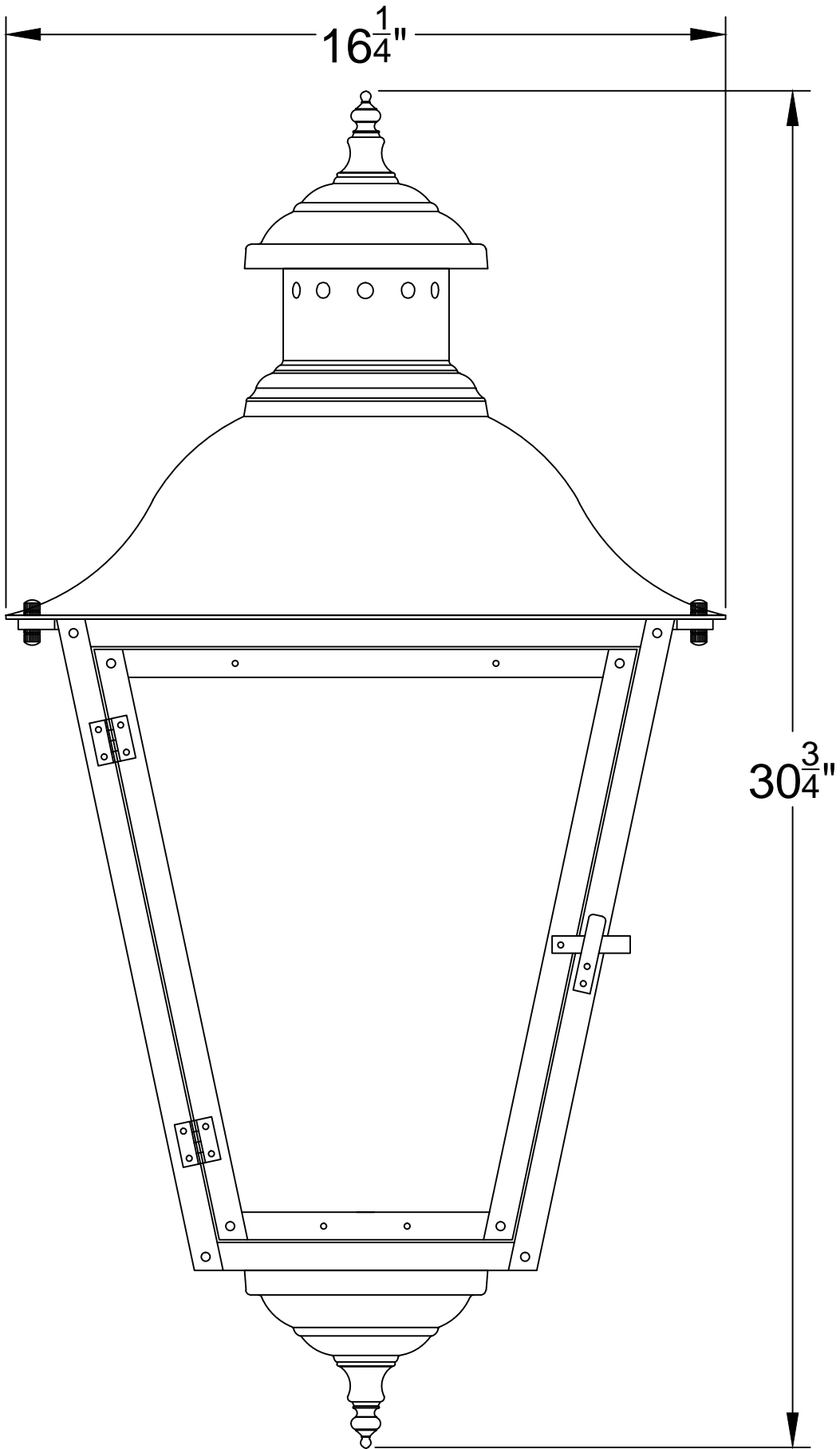
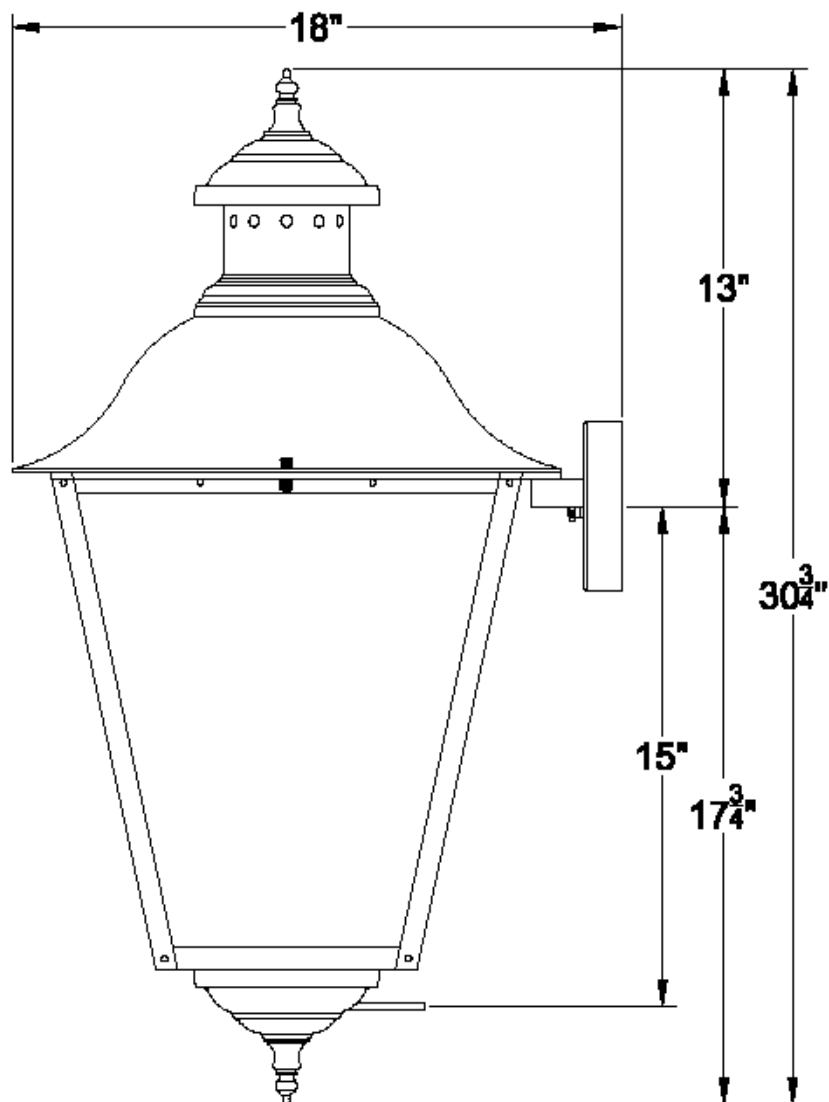


JL-31



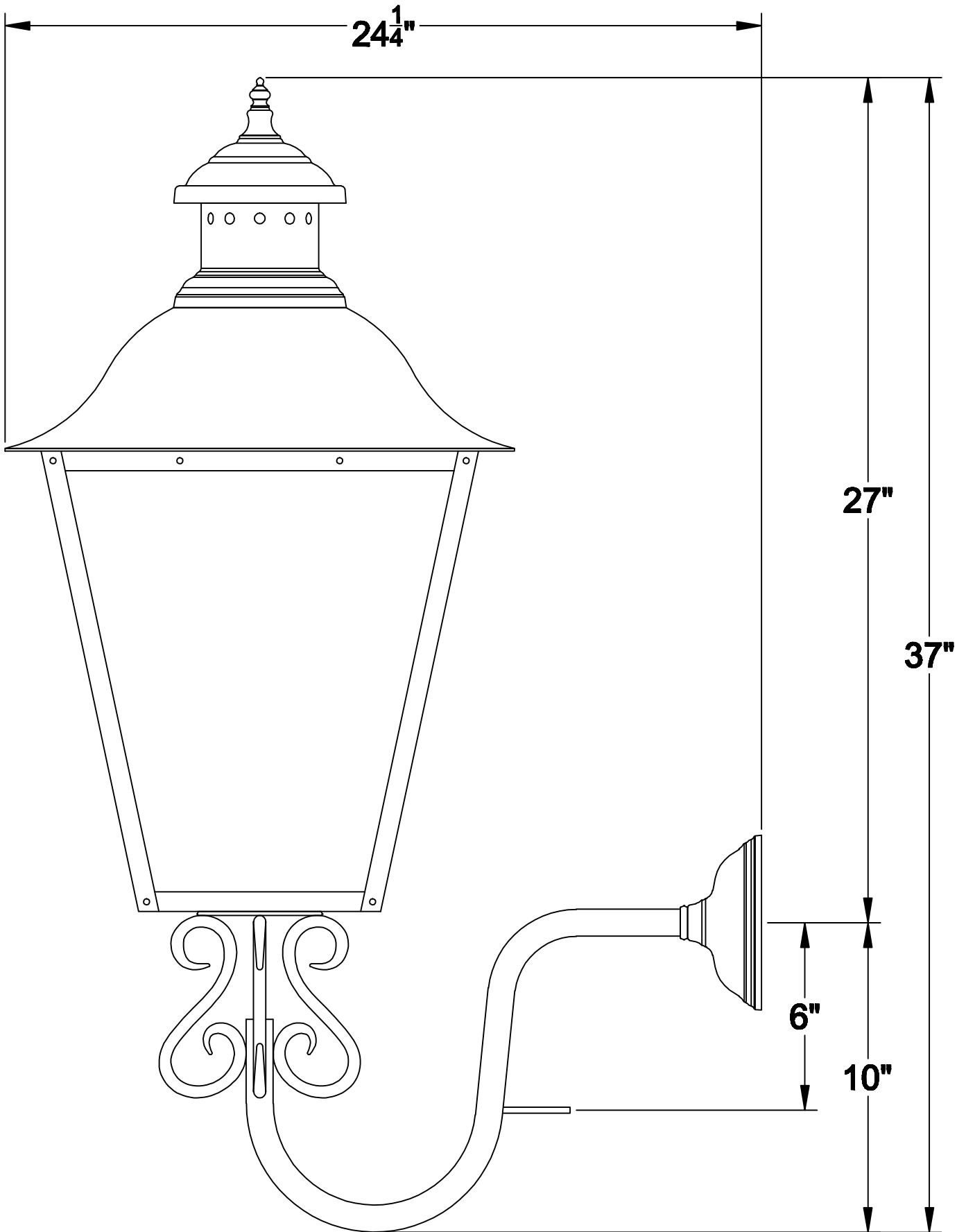
Front

JL-31



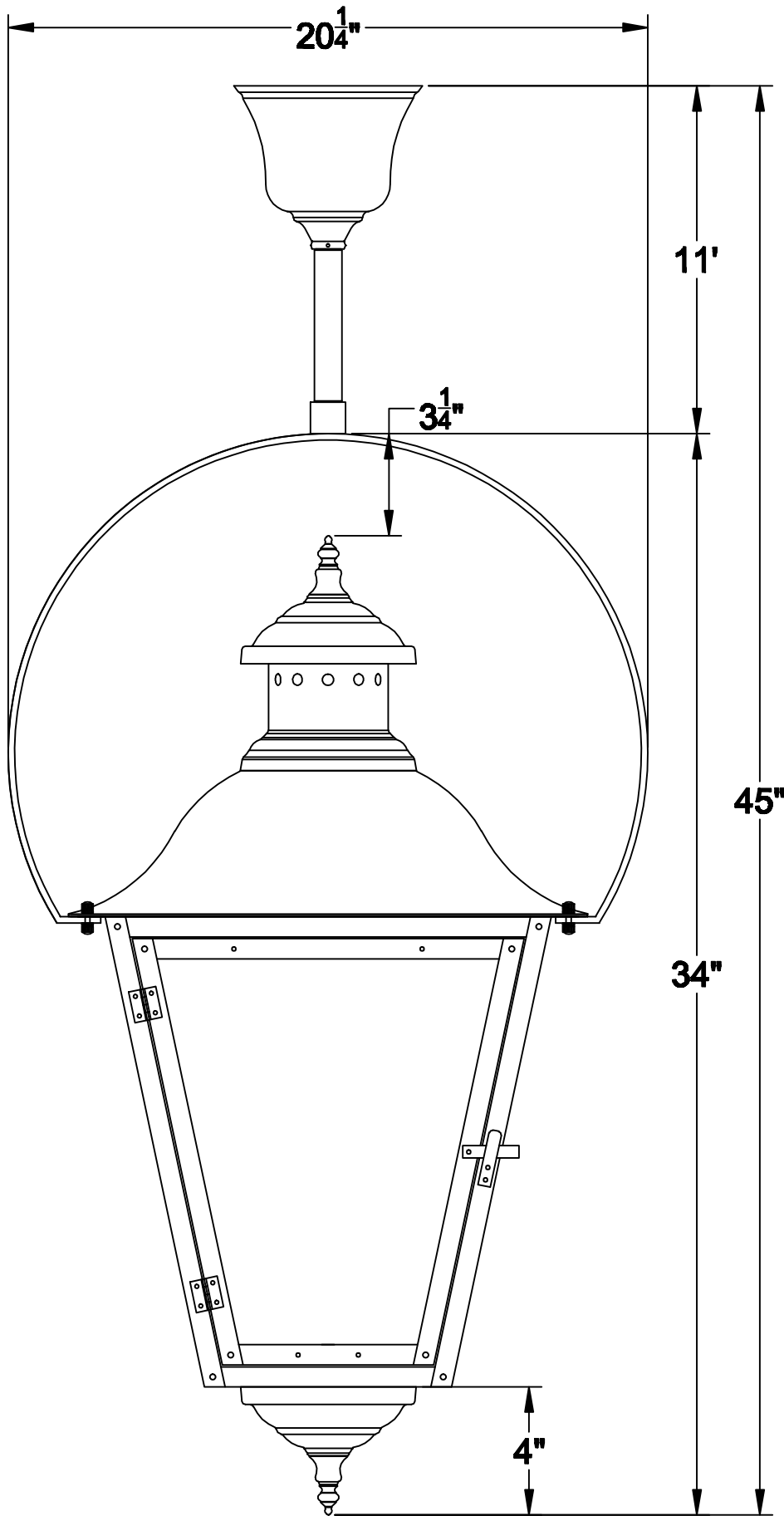
Side

JL-31



GN

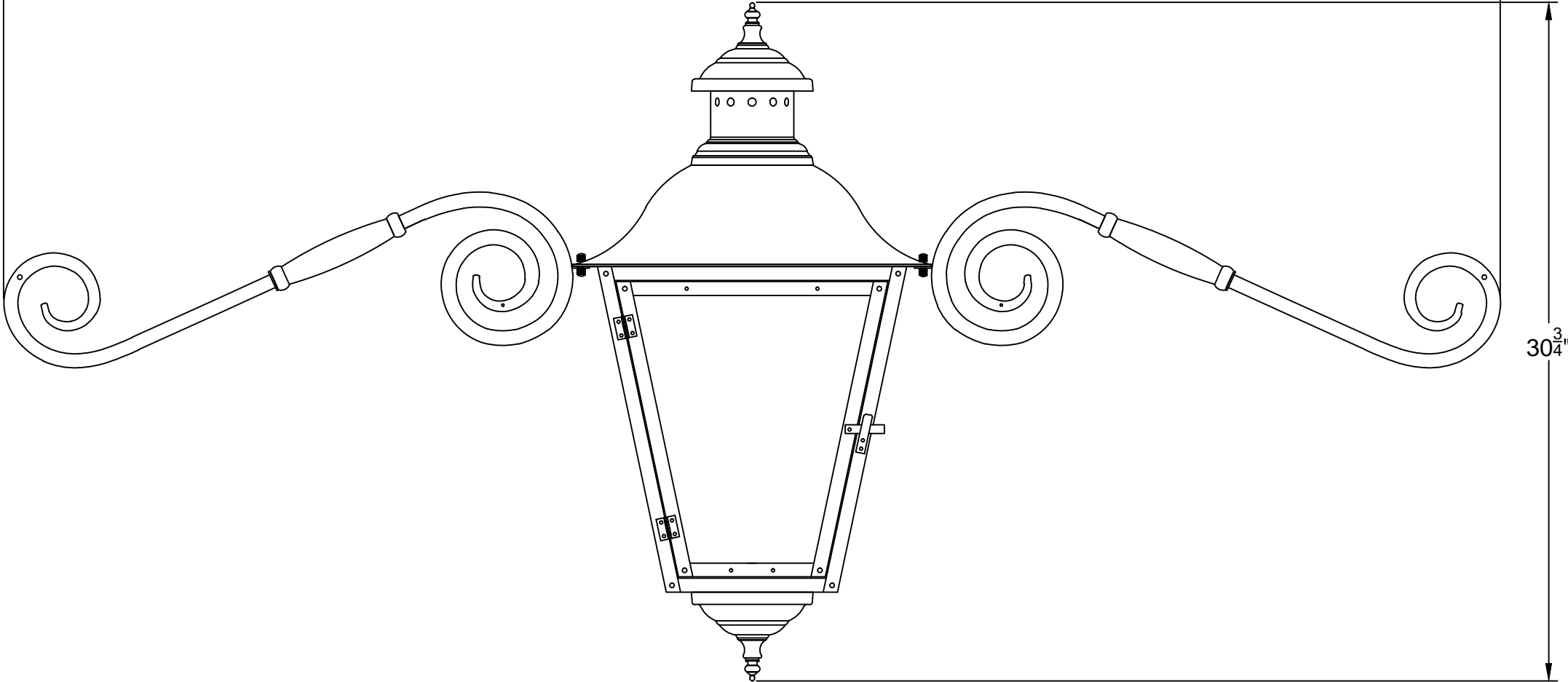
JL-31



HY-3

JL-31

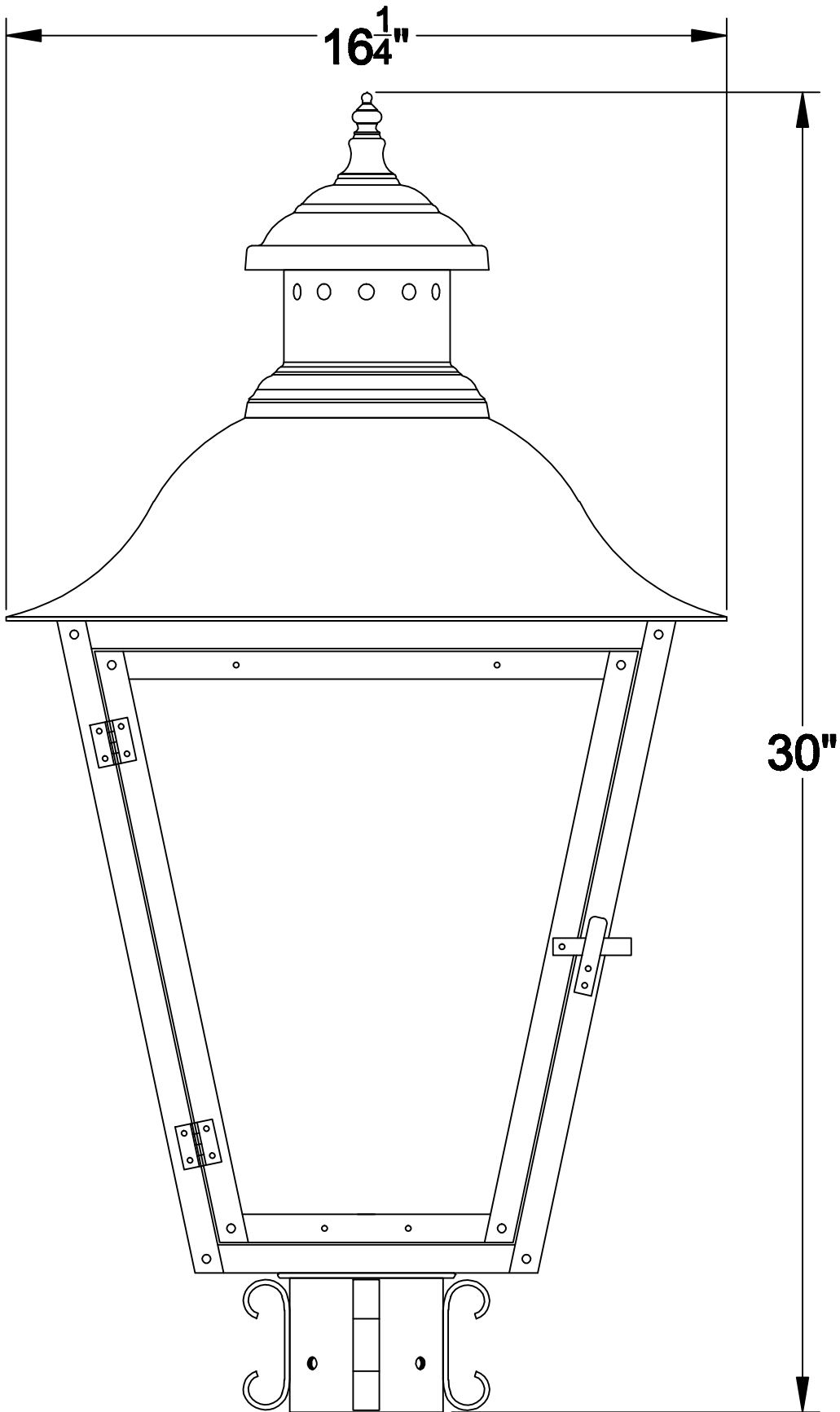
67 $\frac{3}{4}$ "



30 $\frac{3}{4}$ "

MU

JL-31



PM