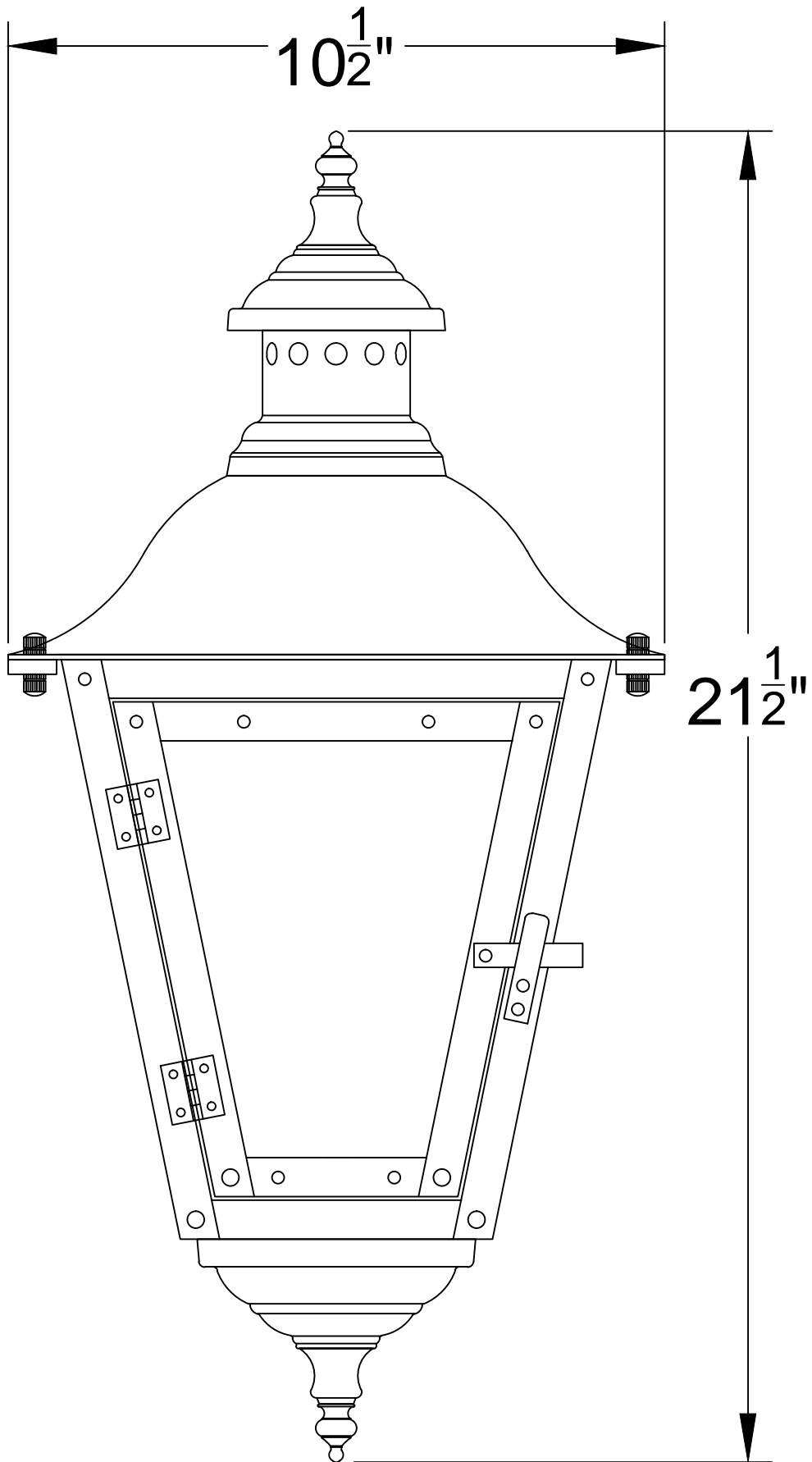
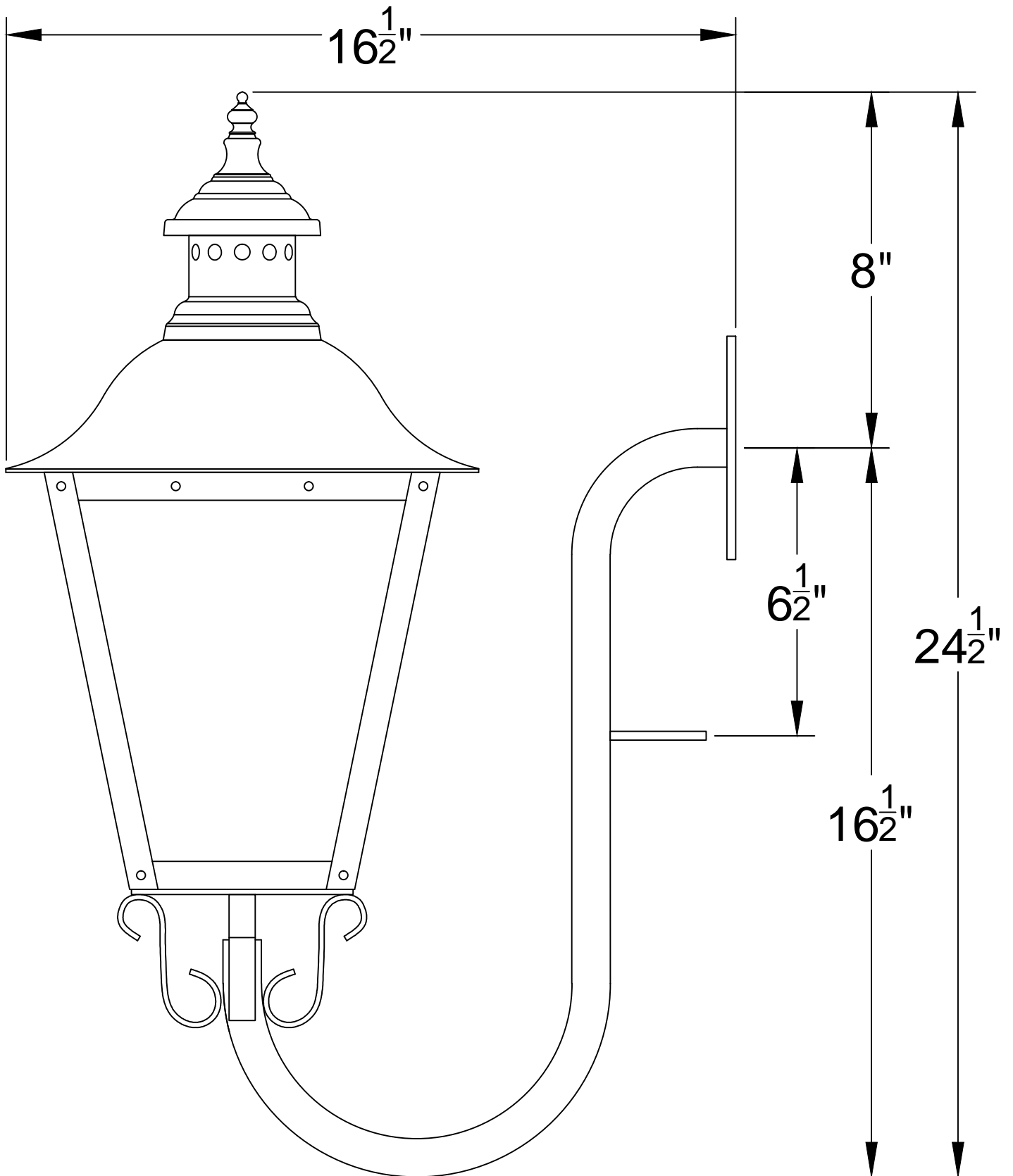


JL-22



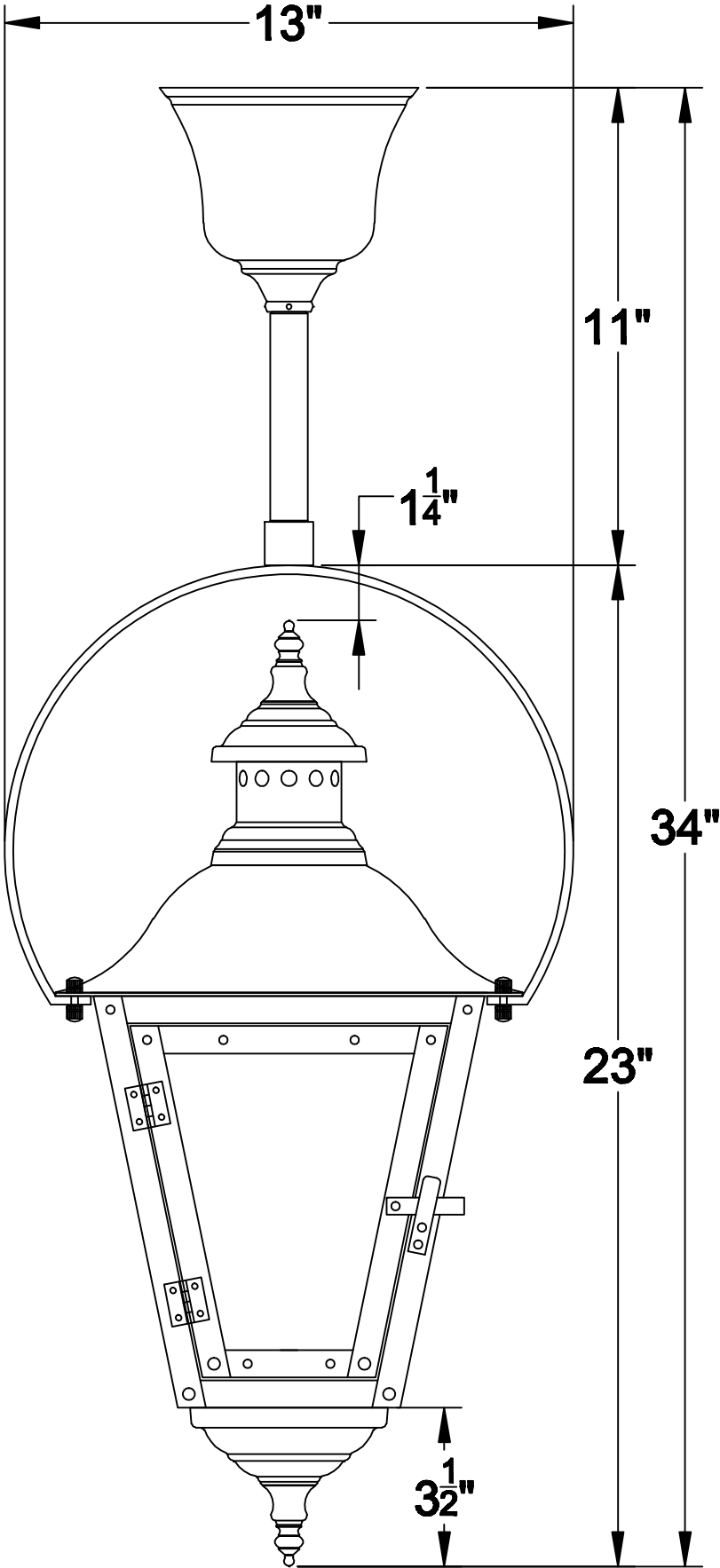
Front

JL-22



GN

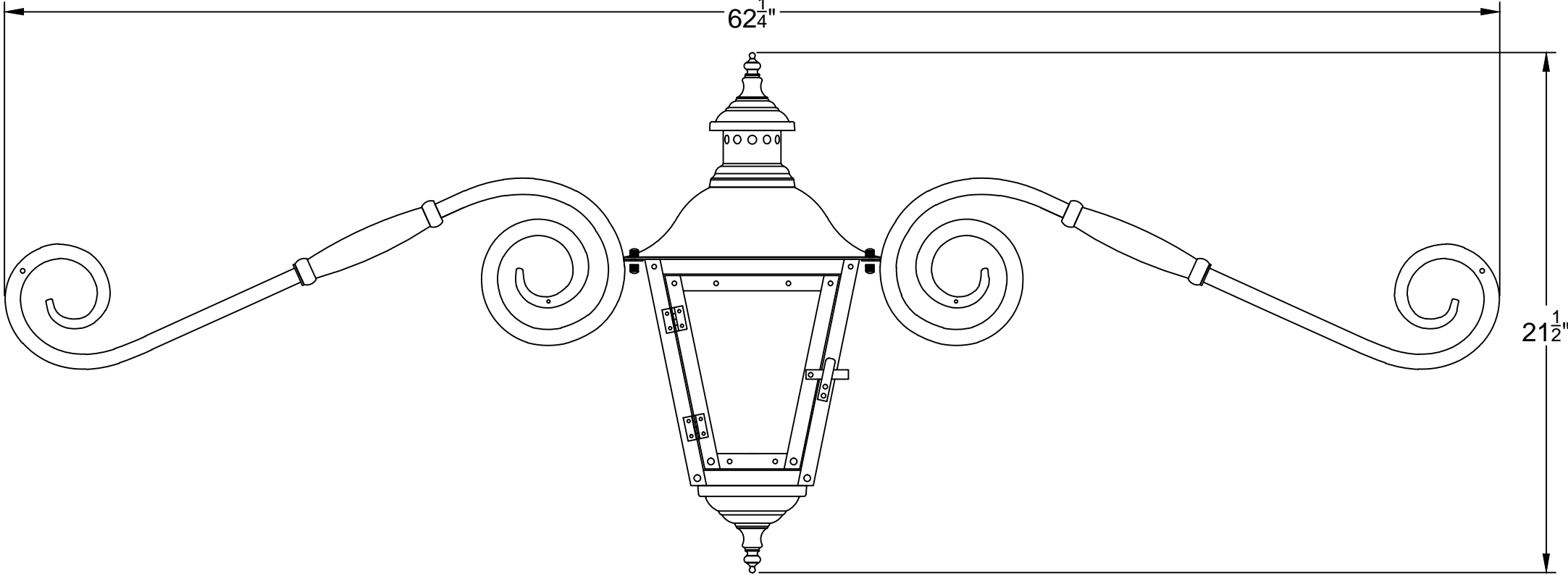
JL-22



HY-1

JL-22

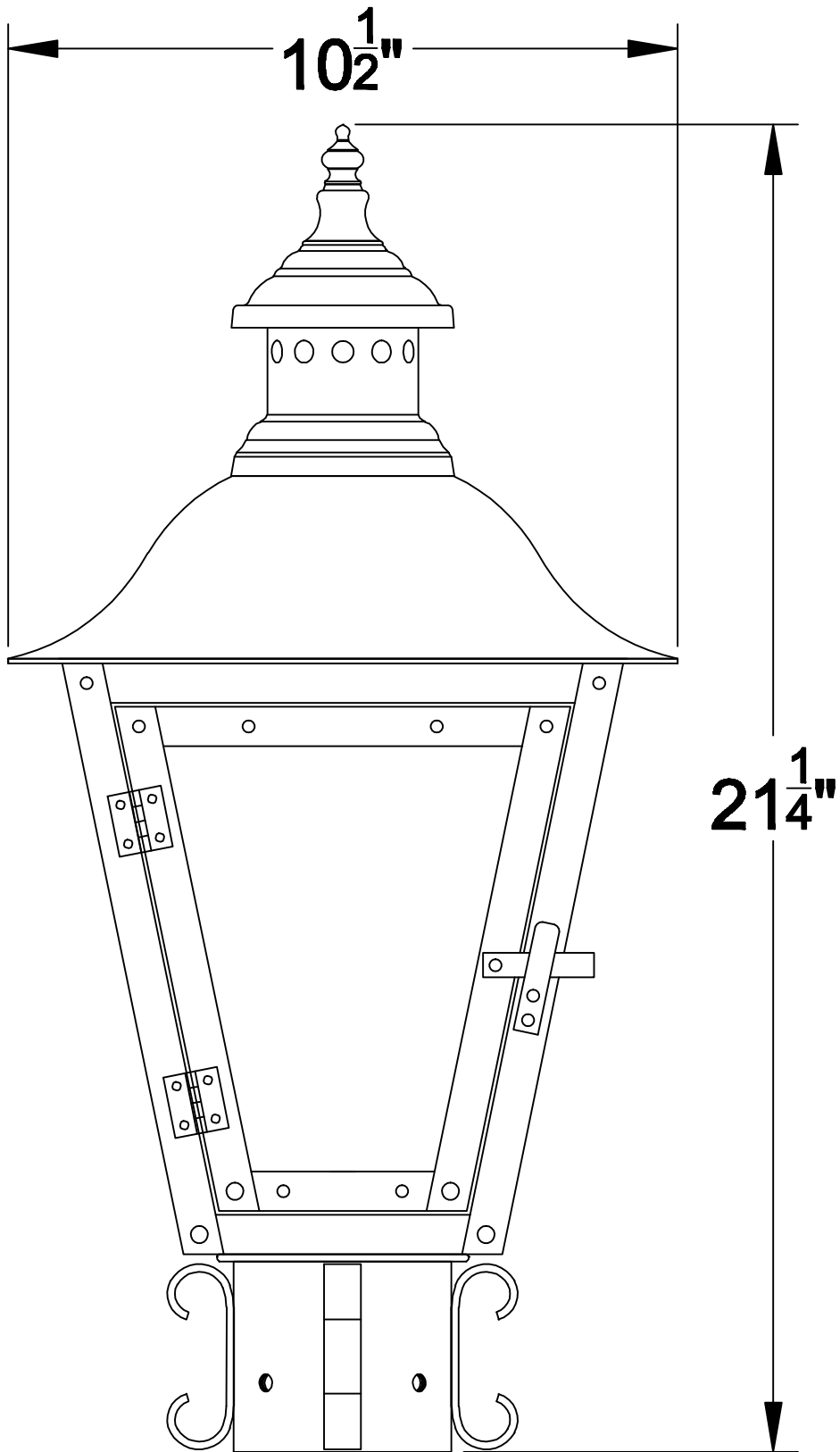
62 $\frac{1}{4}$ "



21 $\frac{1}{2}$ "

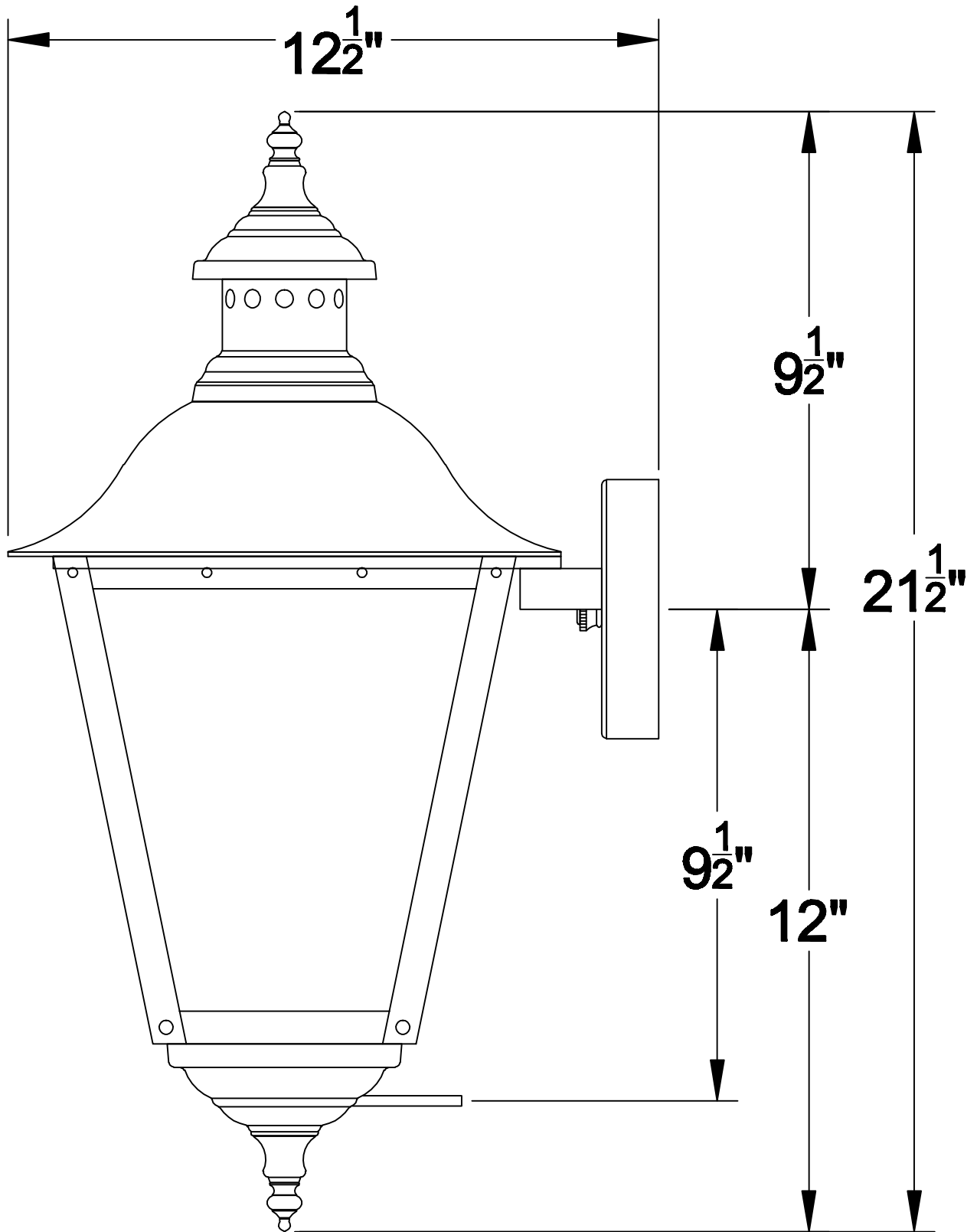
MU

JL-22



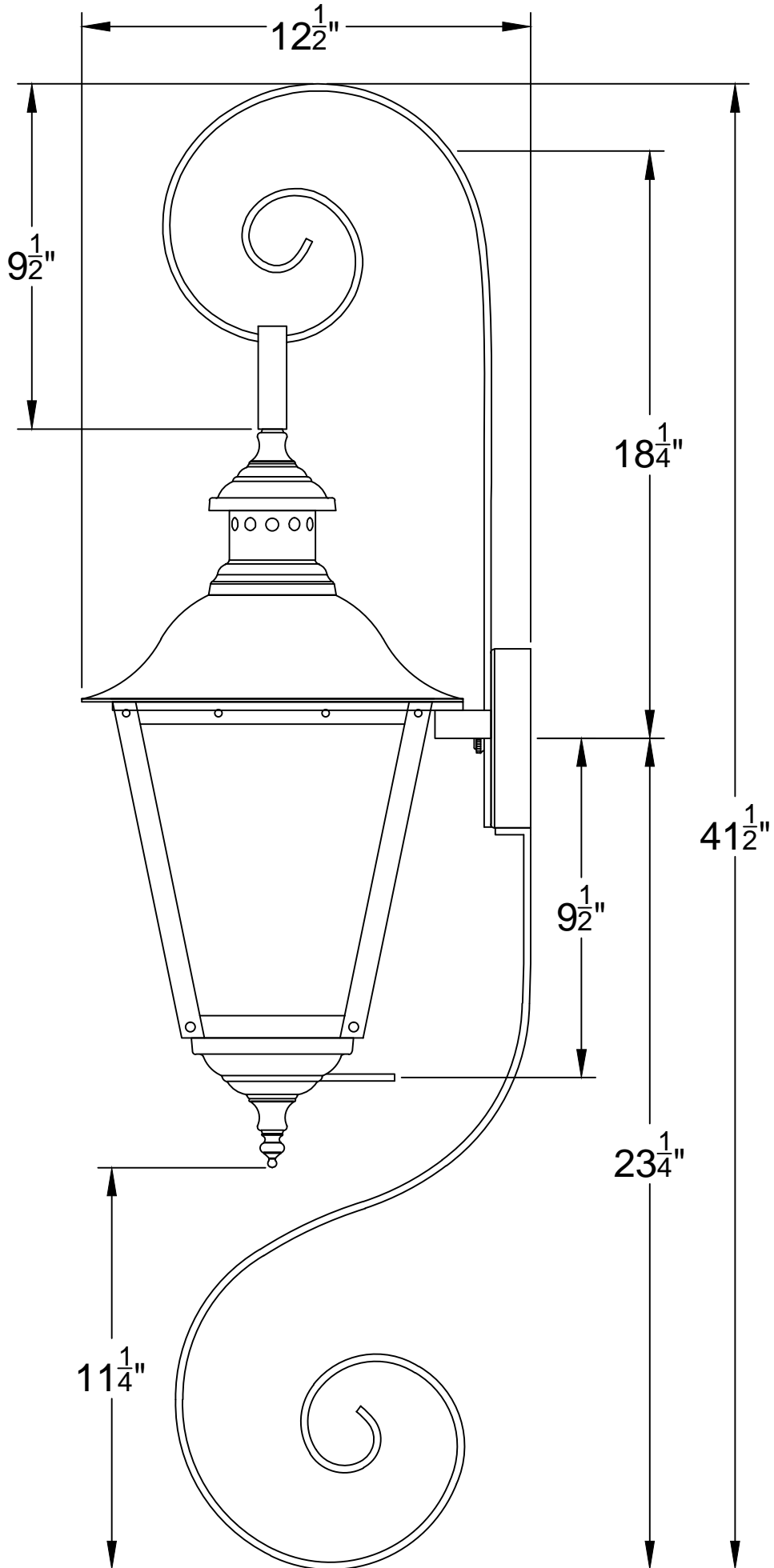
PM

JL-22



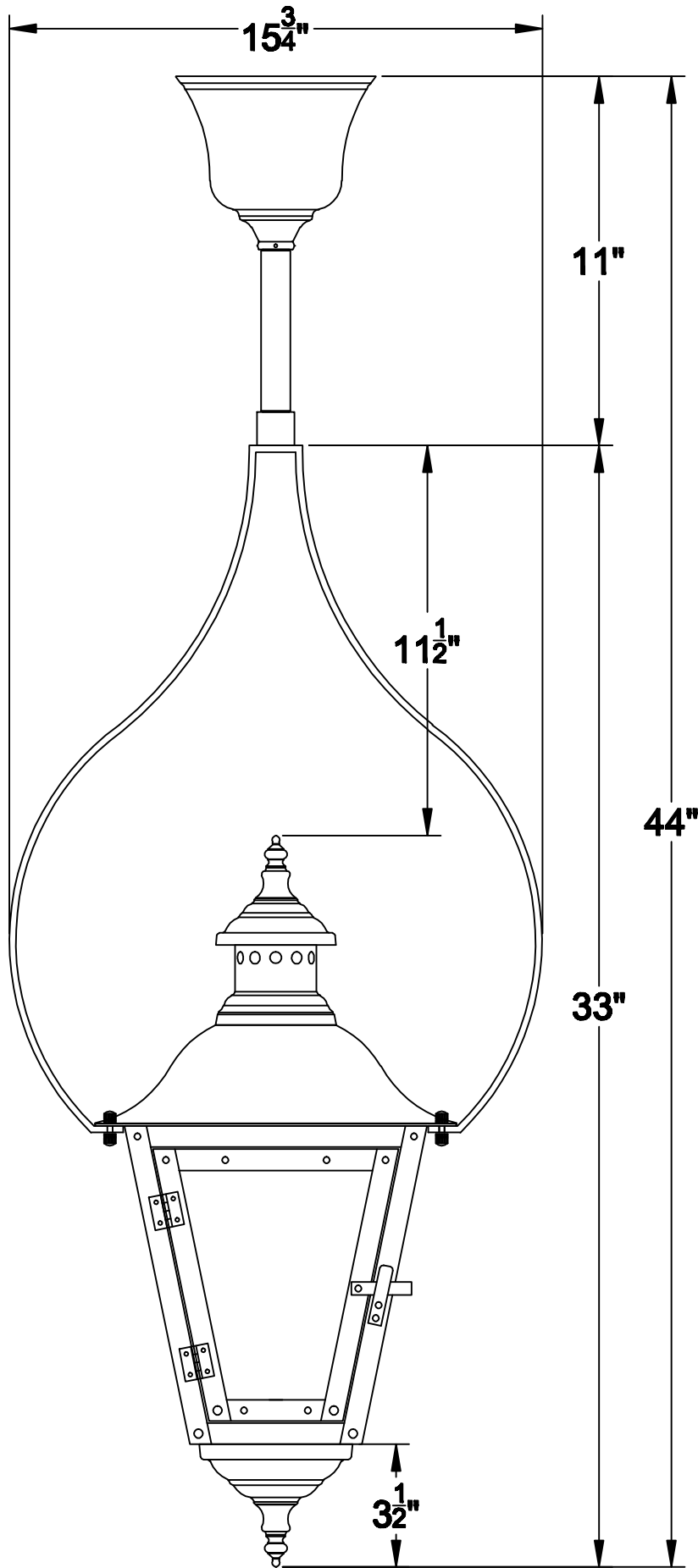
Side

JL-22



TS-1 BS-1

JL-22



TY-1