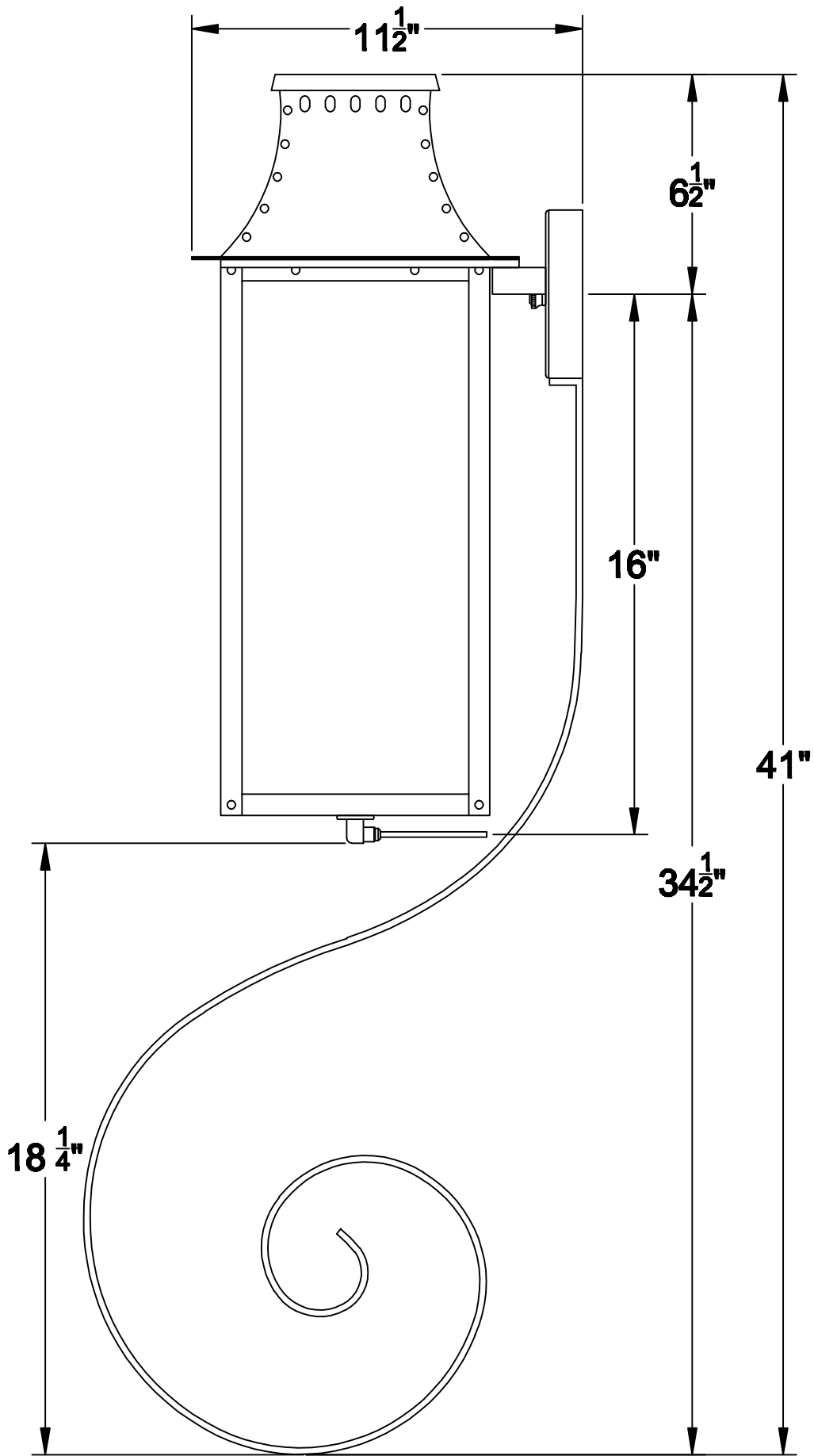
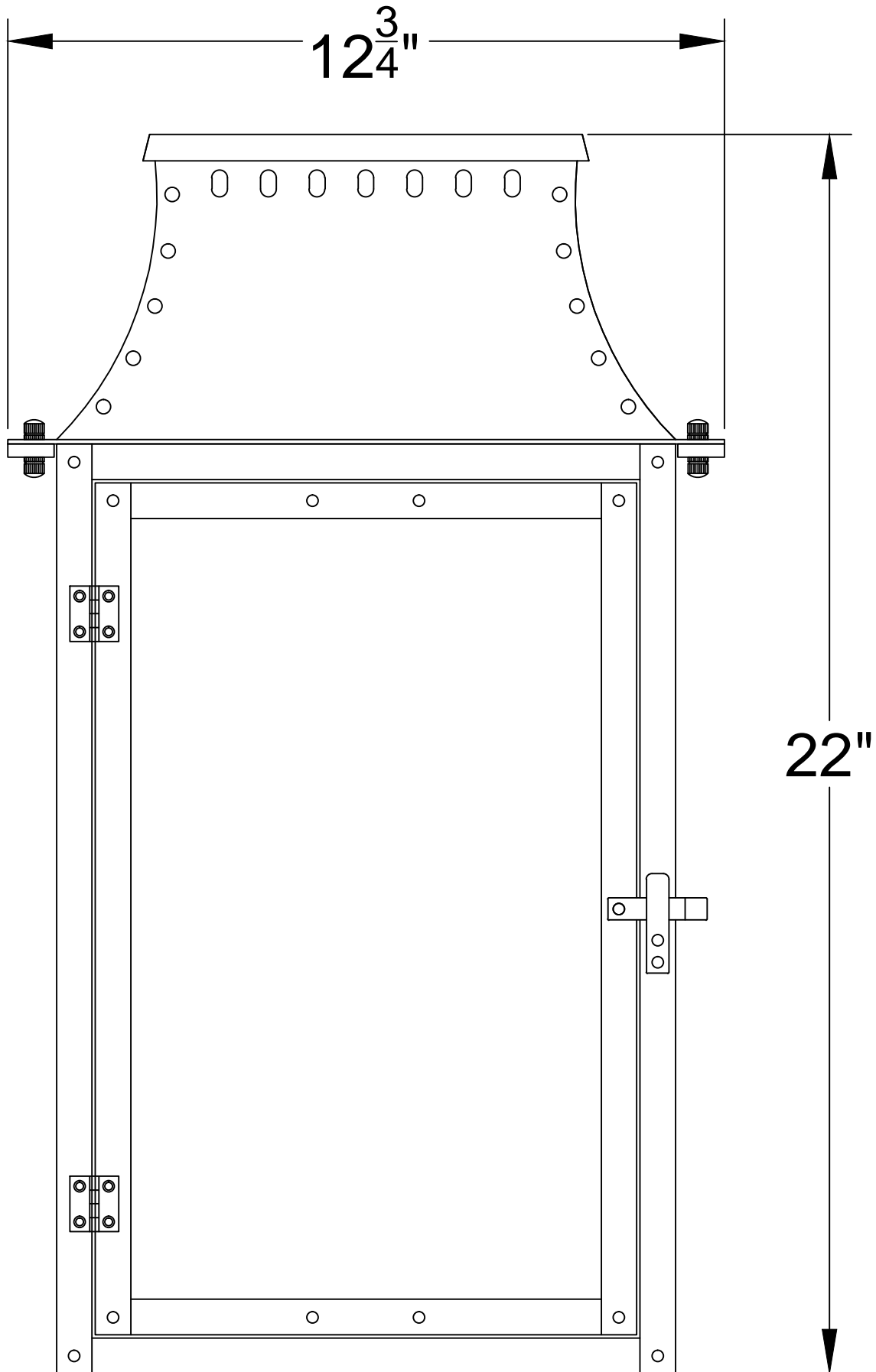


BB-22



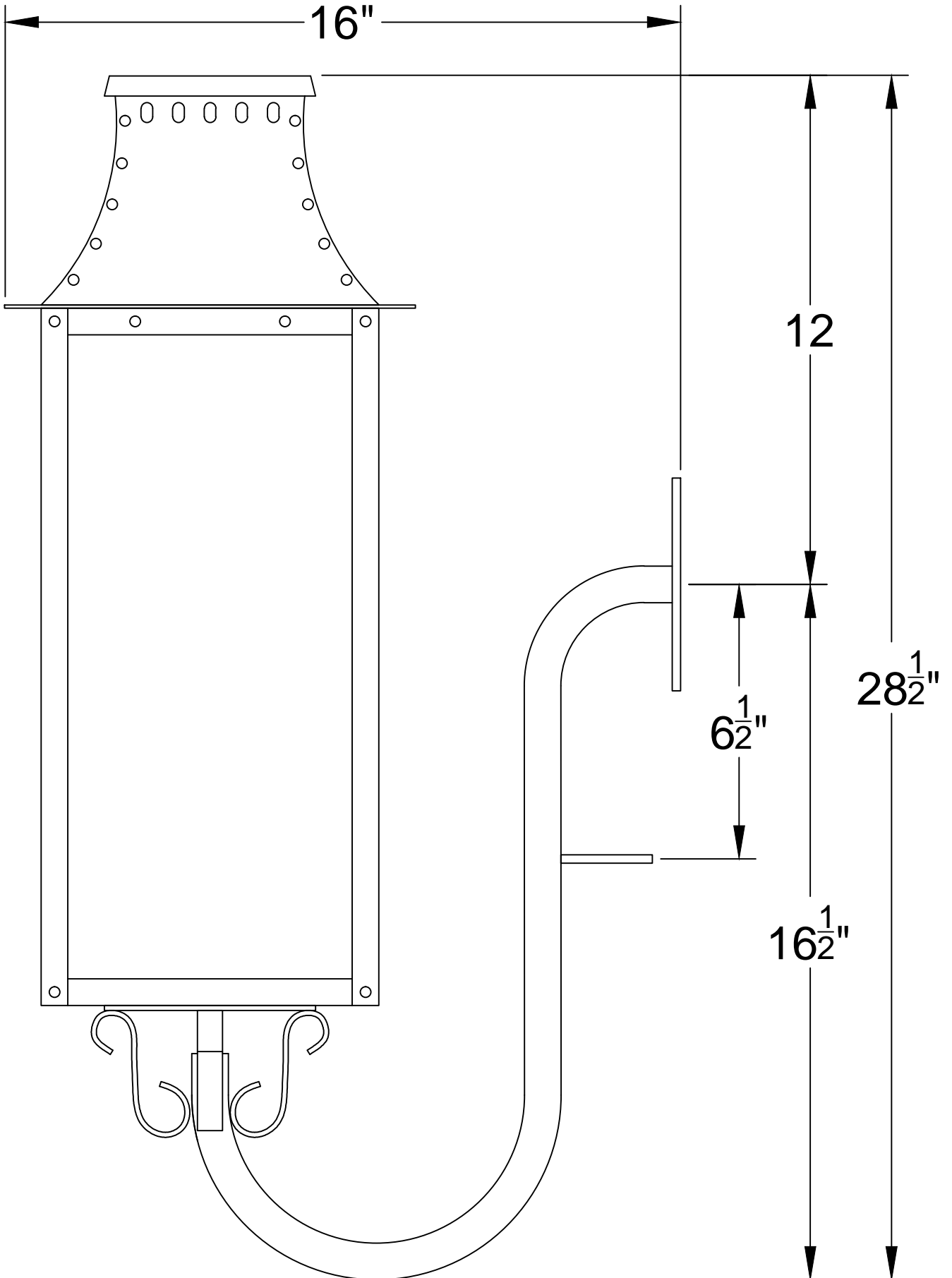
BS-3

BB-22



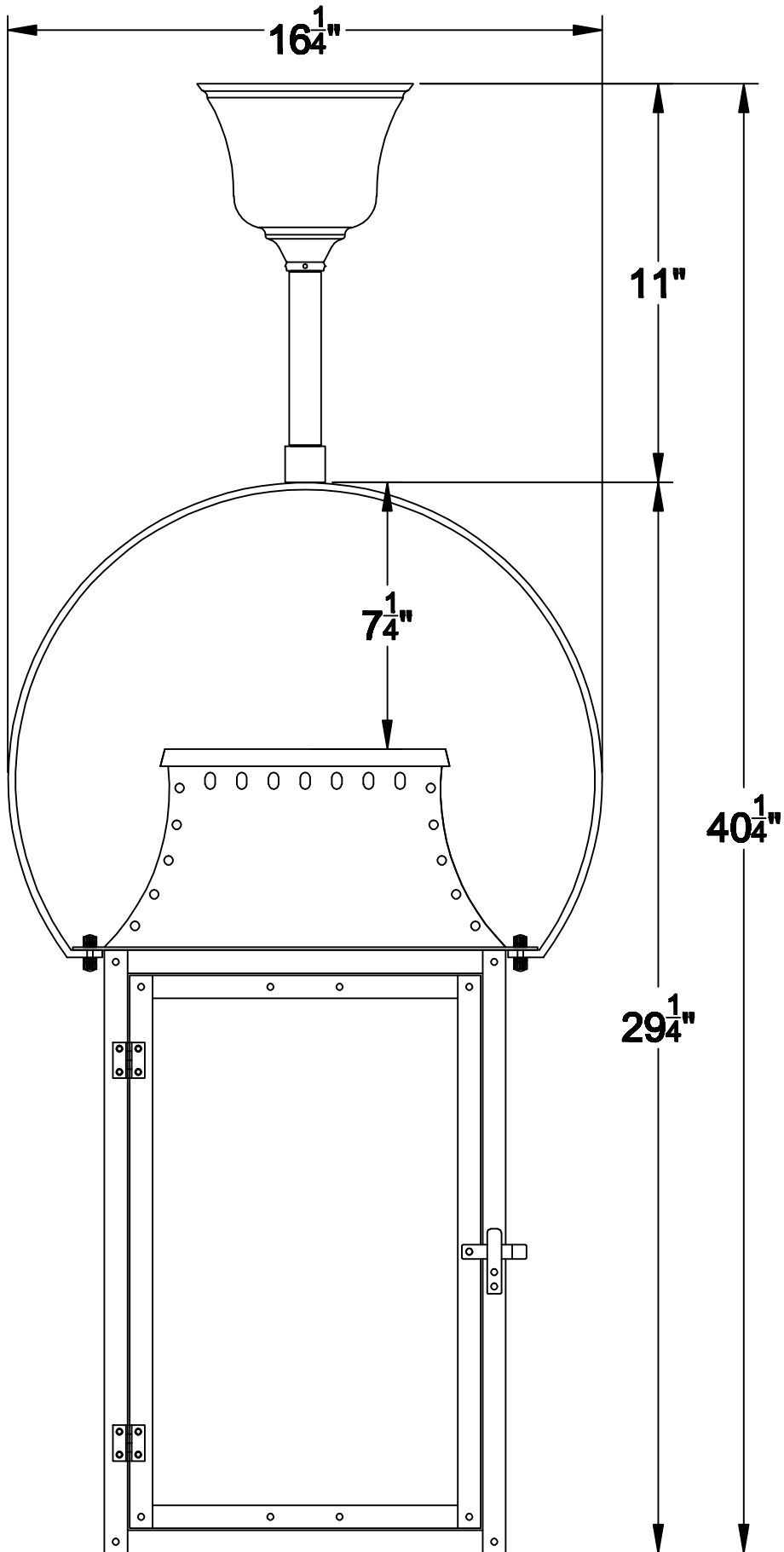
Front

BB-22



GN

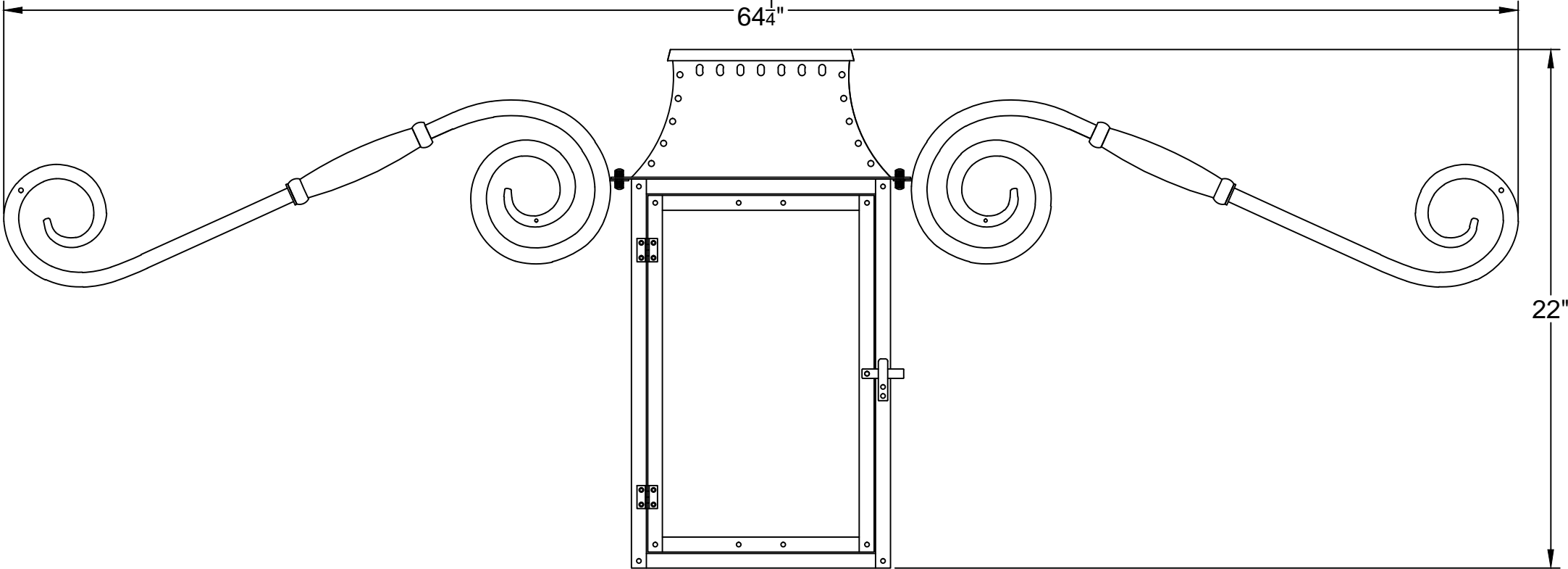
BB-22



HY-2

BB-22

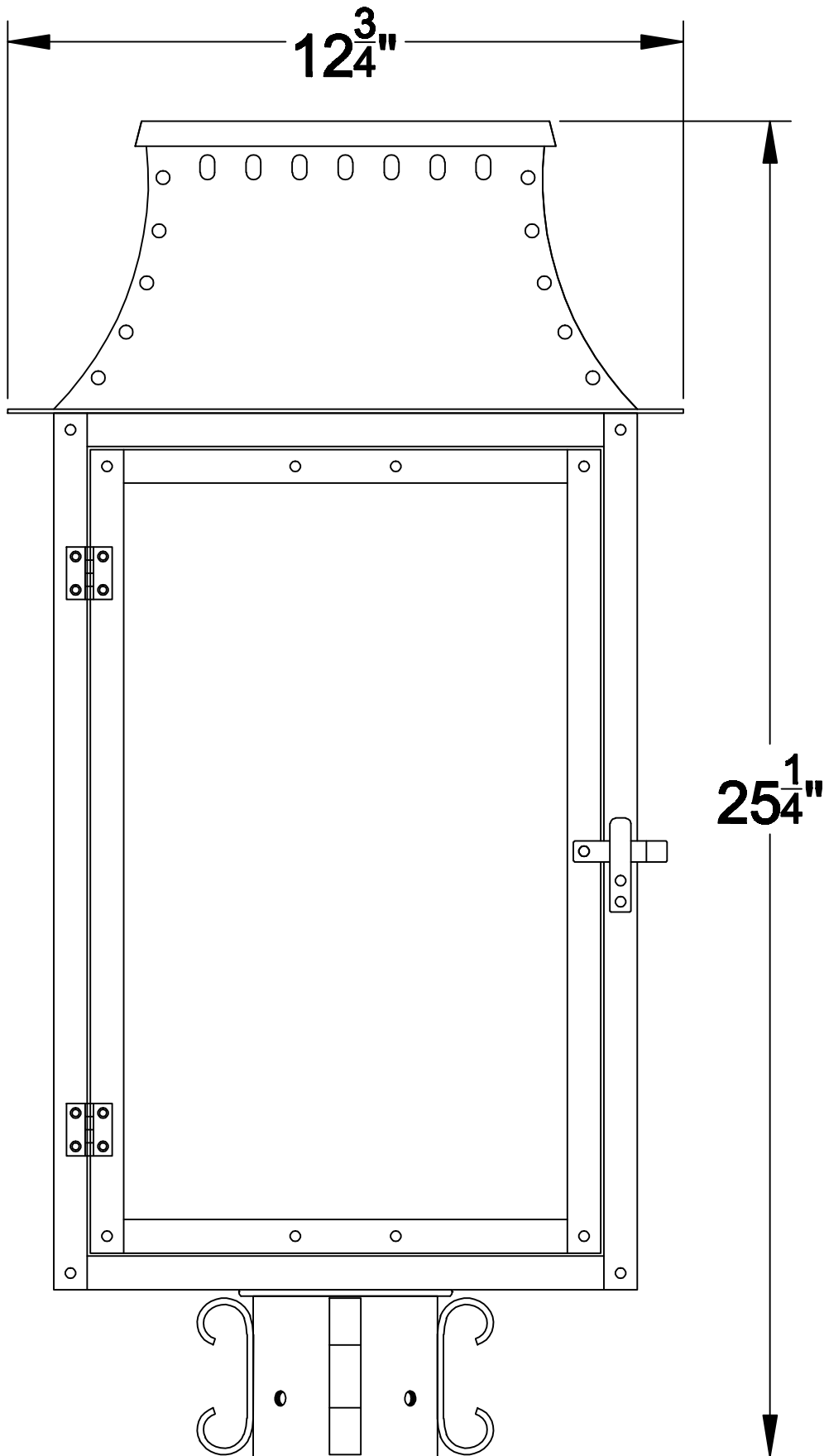
64 $\frac{1}{4}$ "



22"

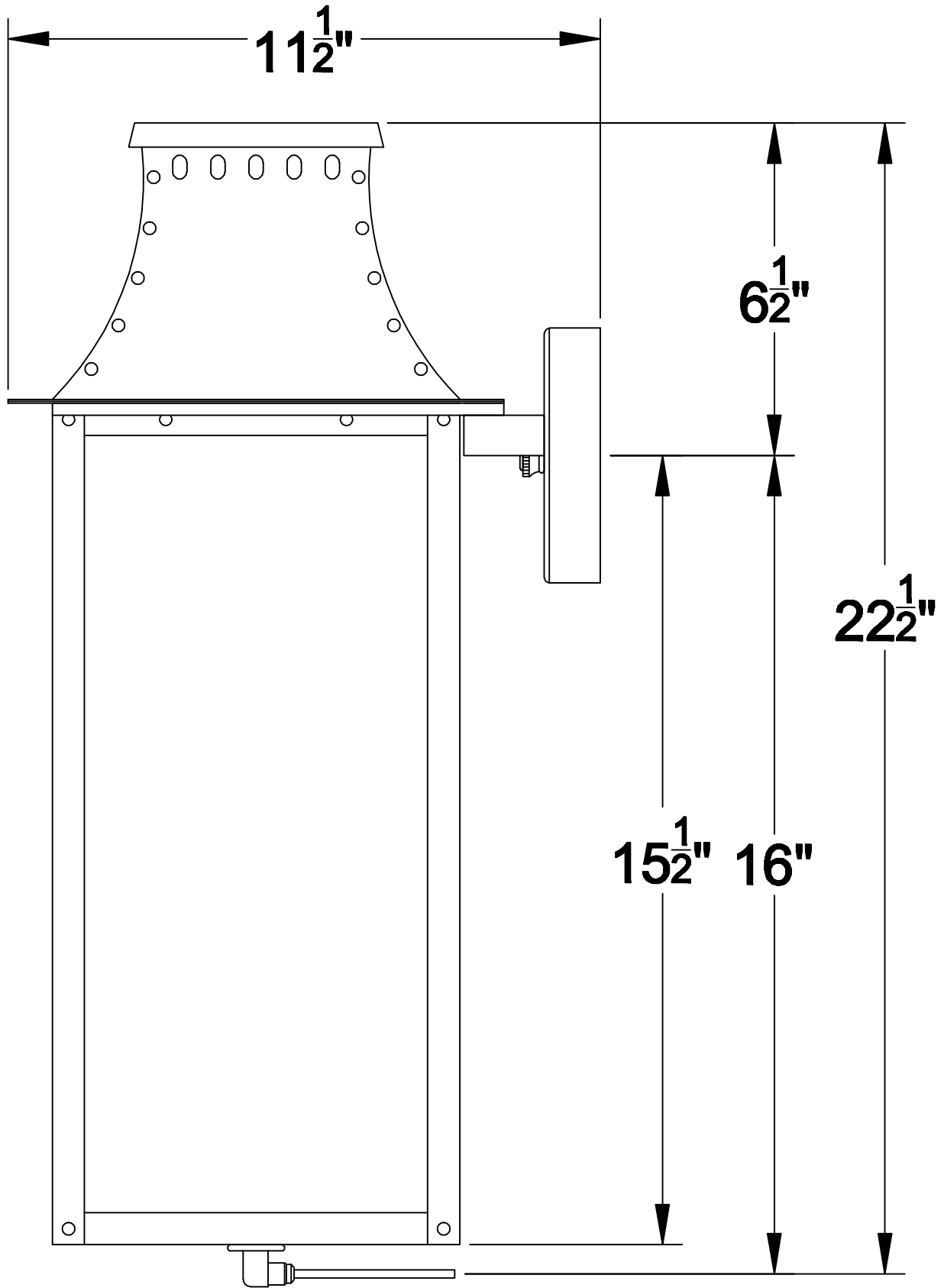
MU

BB-22



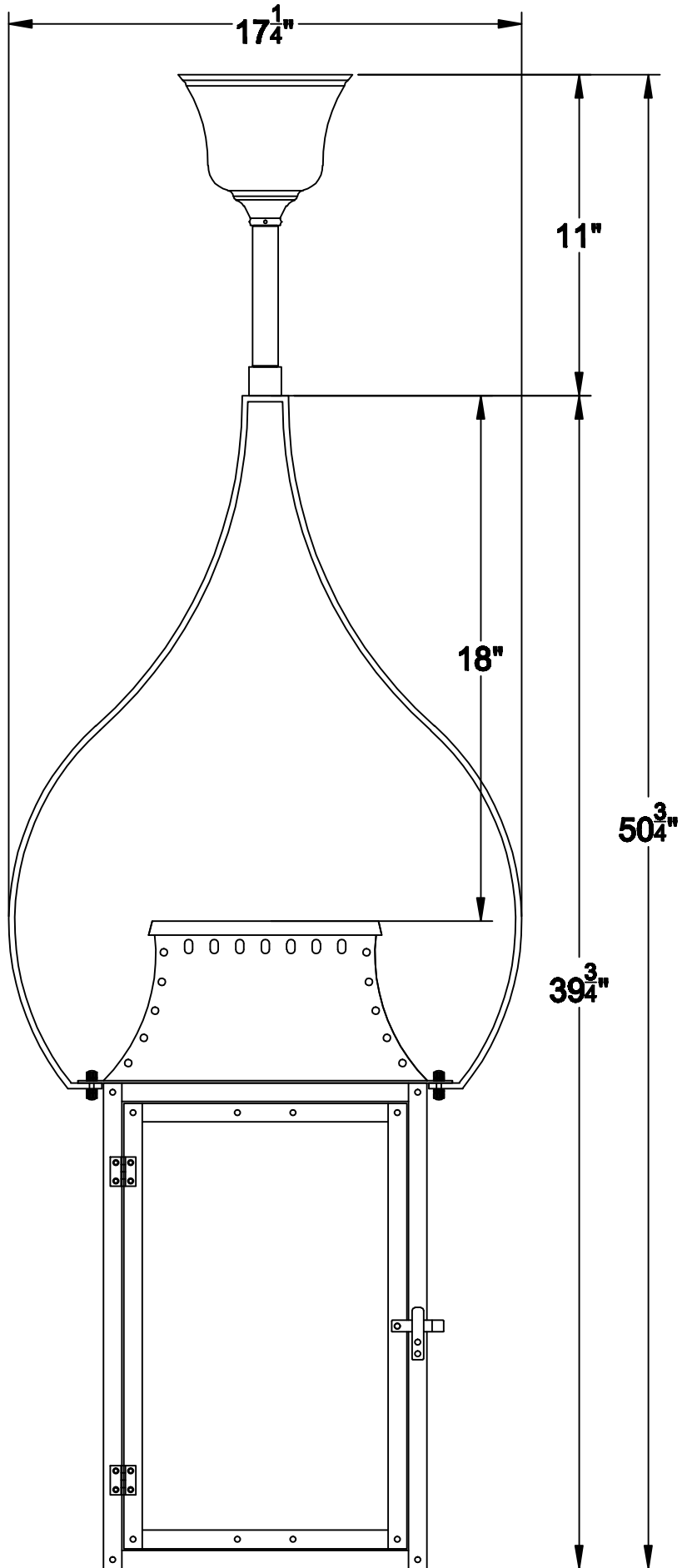
PM

BB-22



Side

BB-22



TY-2