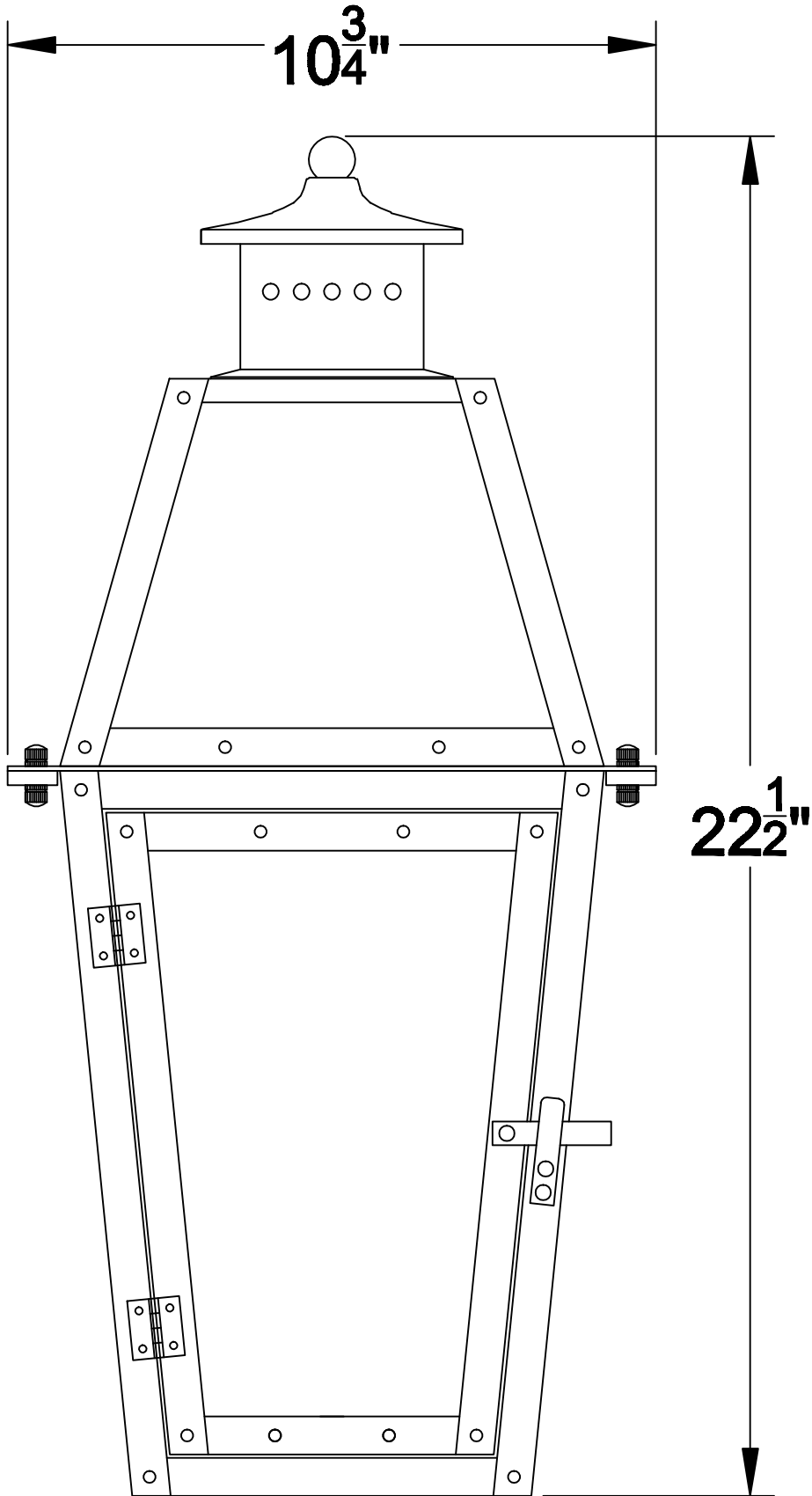
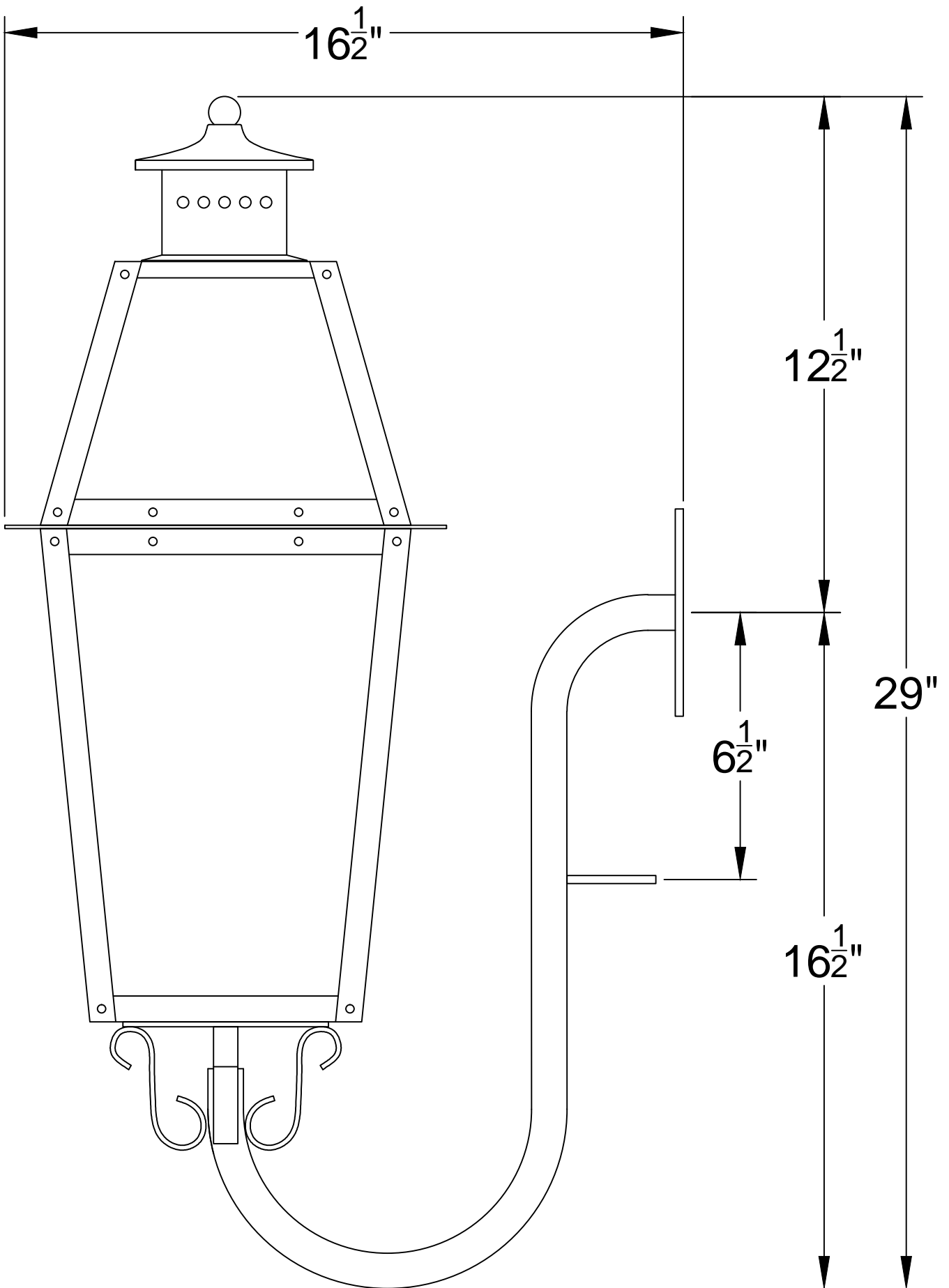


AD-24



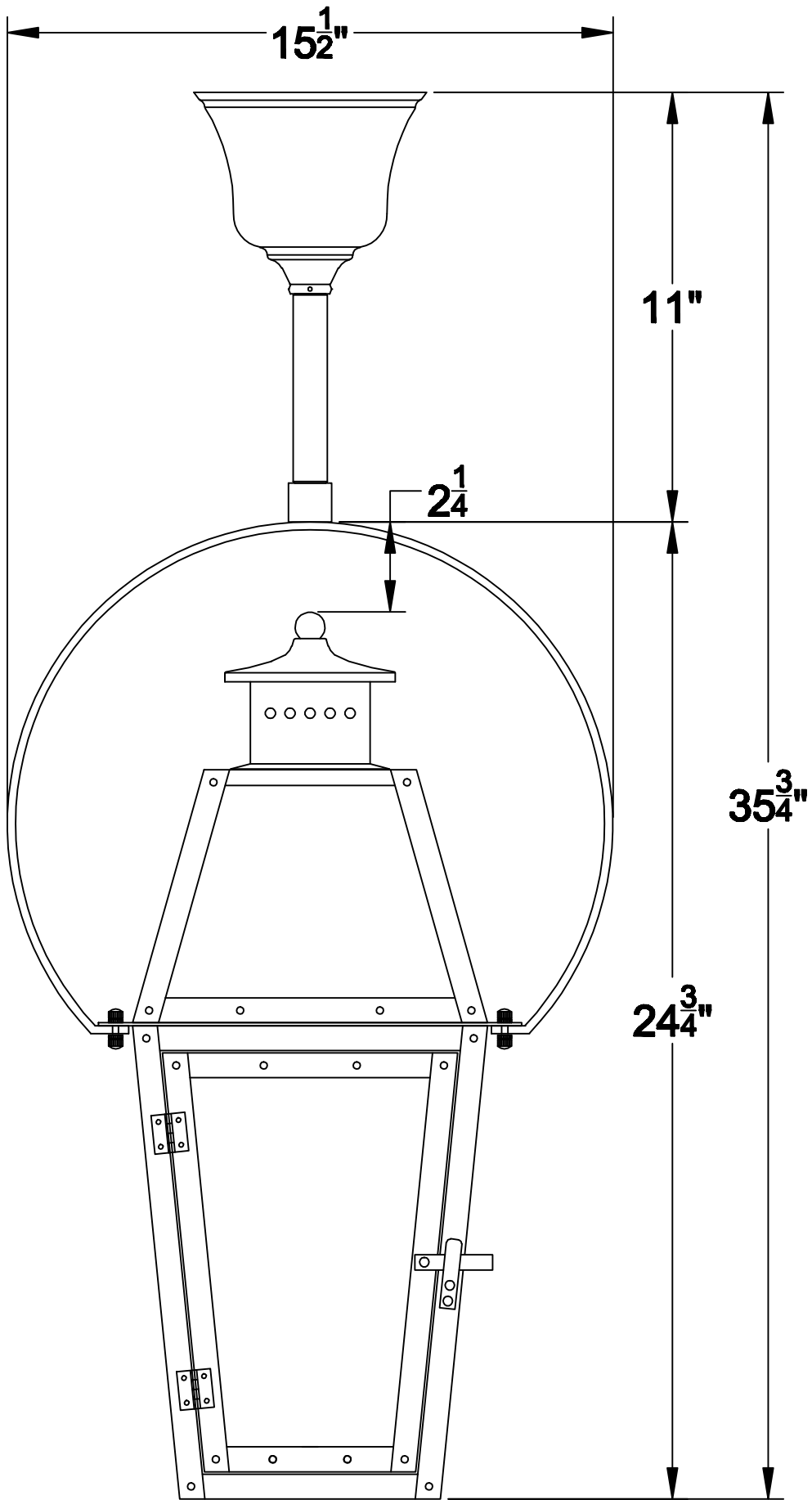
Front

AD-24



GN

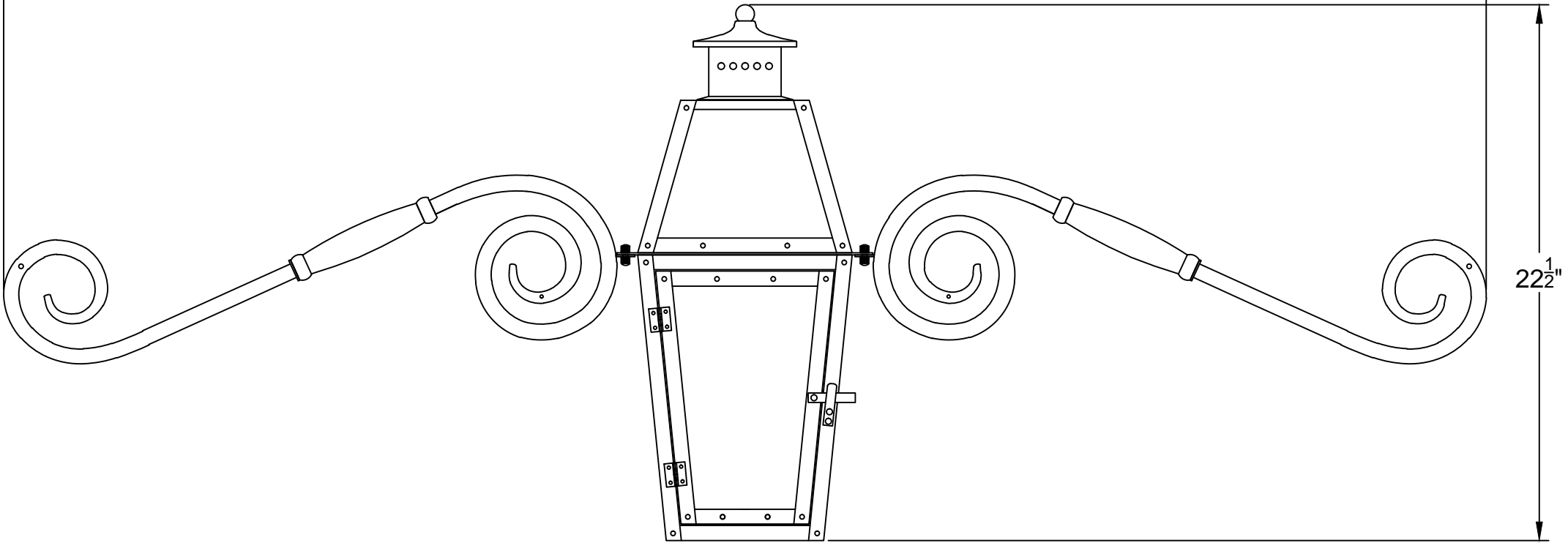
AD-24



HY-2

AD-24

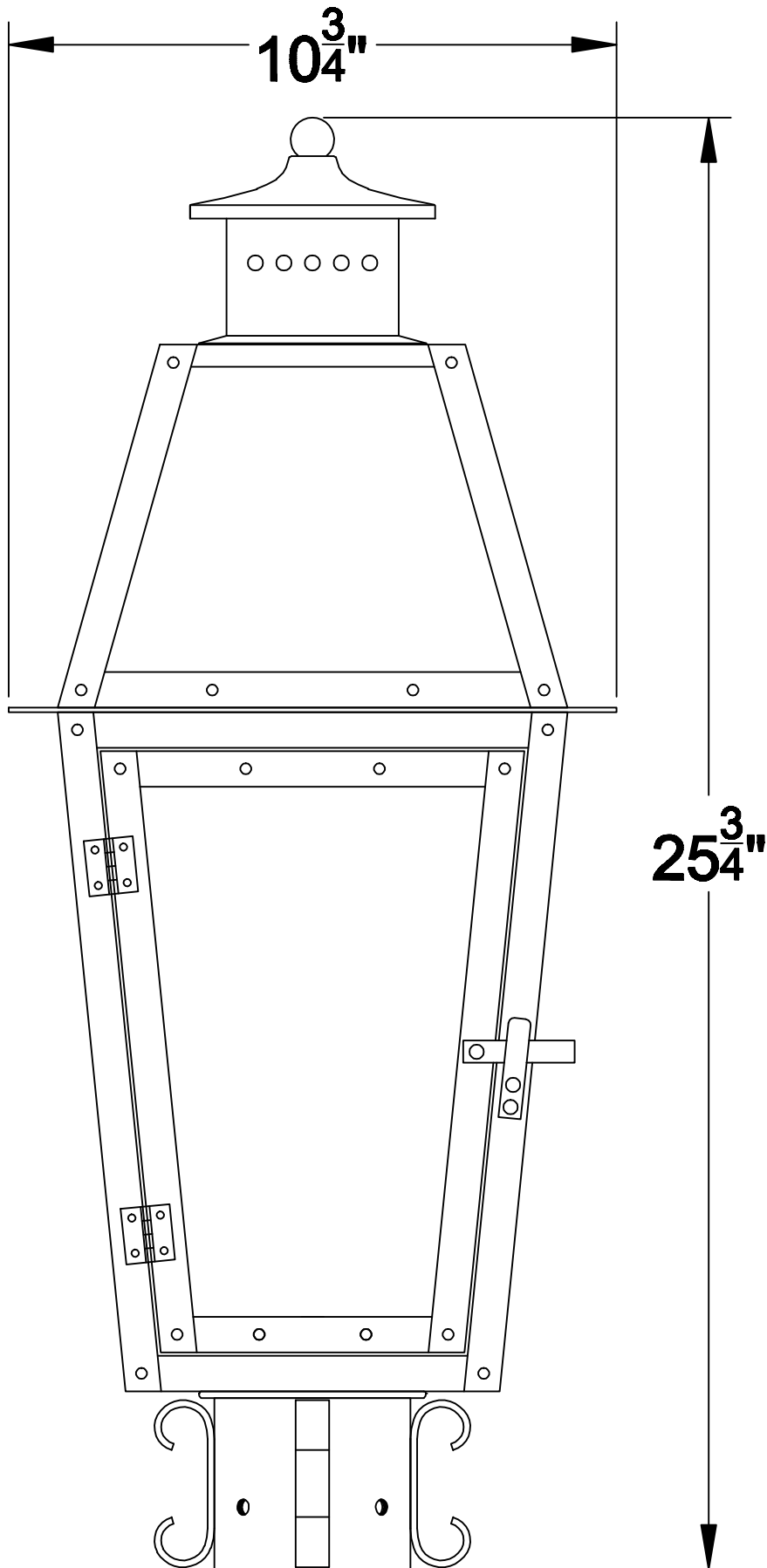
62 $\frac{1}{4}$ "



22 $\frac{1}{2}$ "

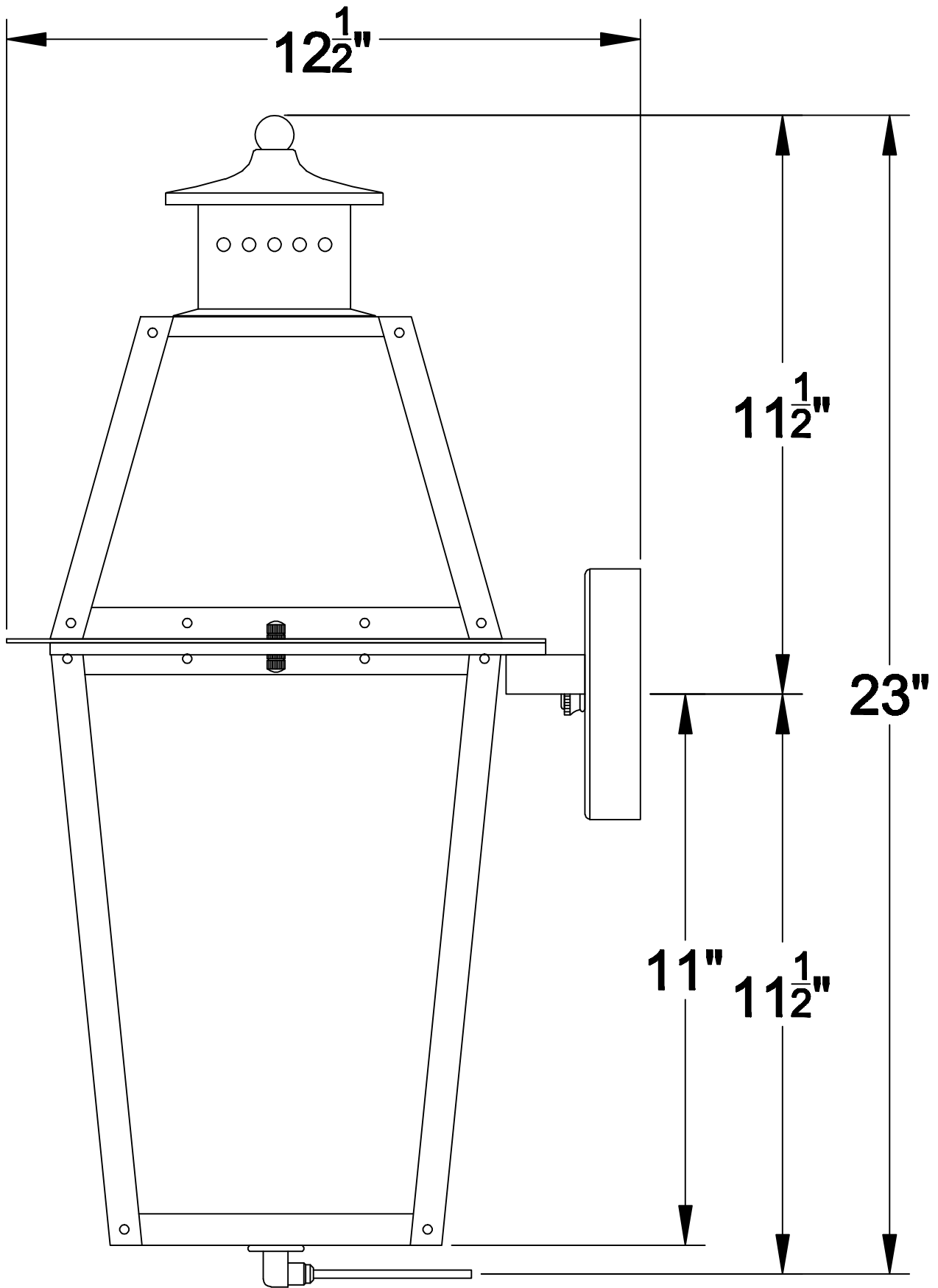
MU

AD-24



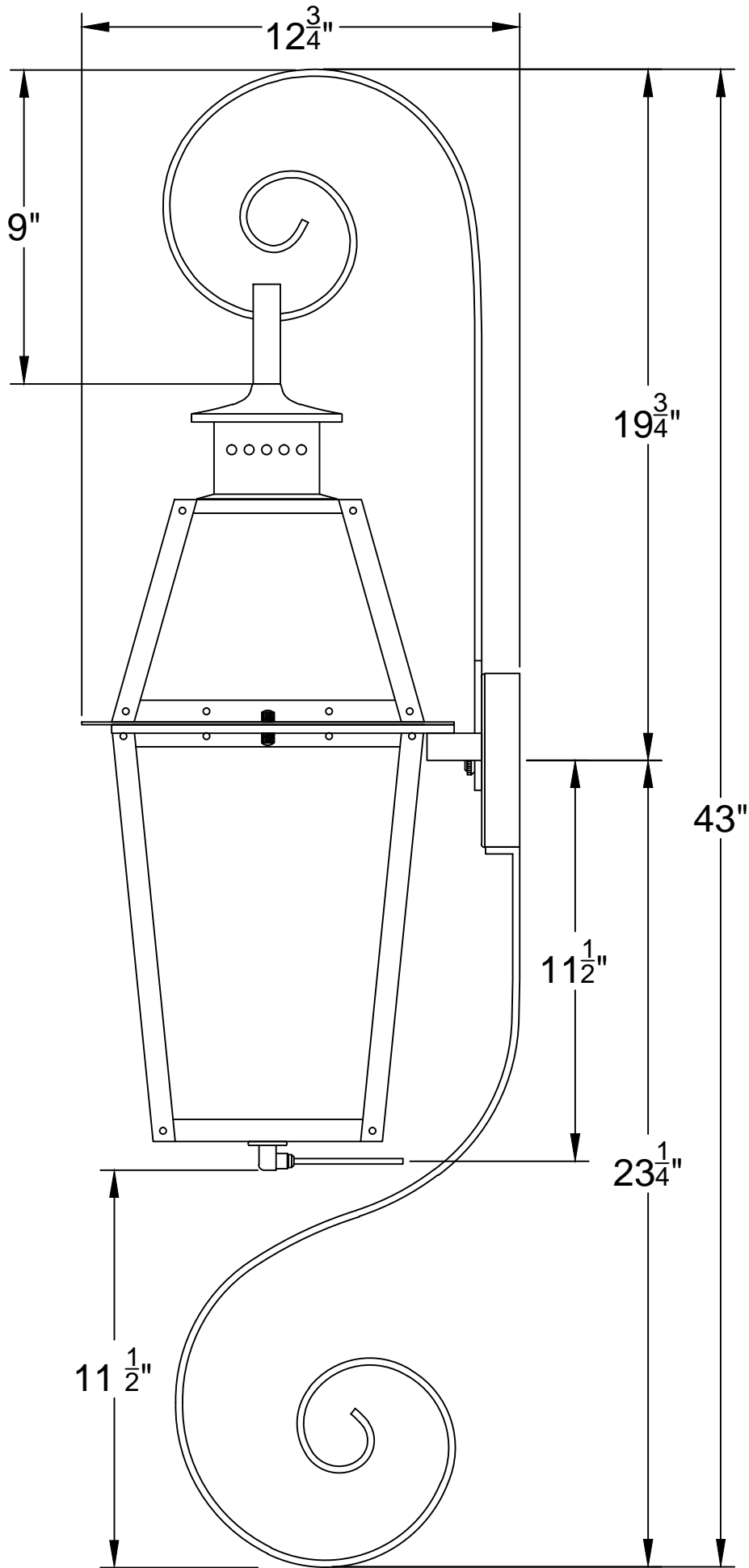
PM

AD-24



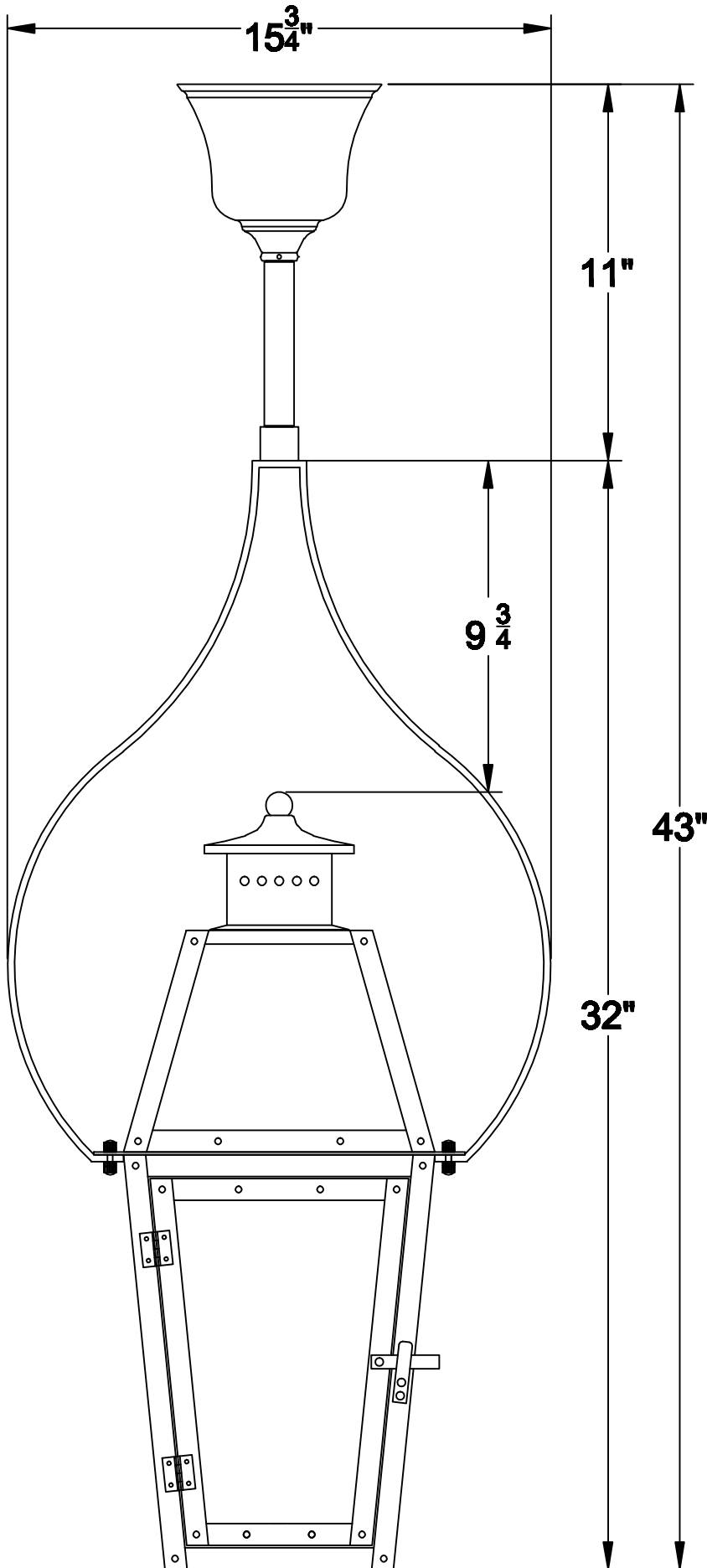
Side

AD-24



TS-1 BS-1

AD-24



TY-1